

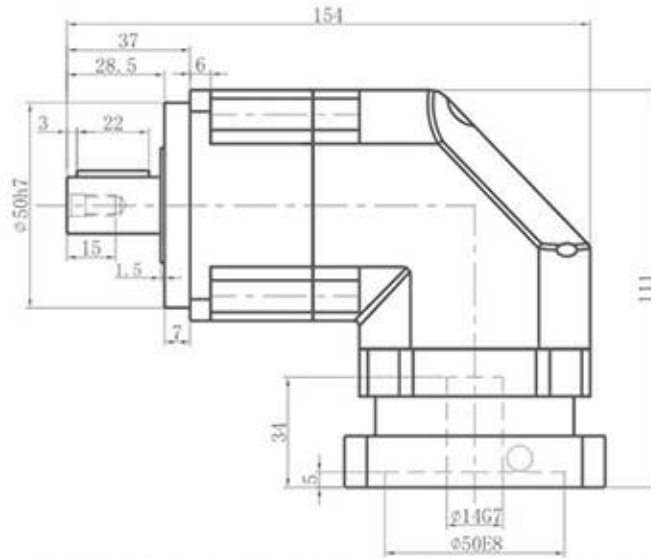
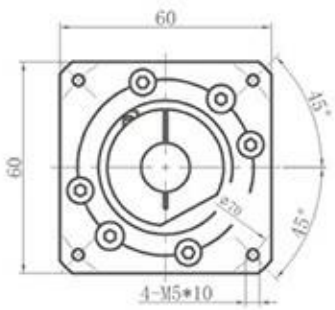


外形尺寸

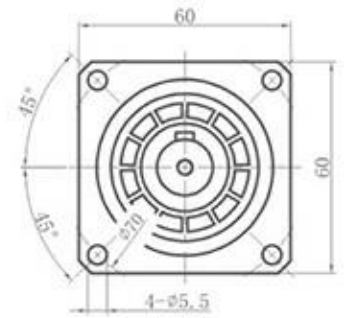
Dimensions

PBR060-L1

输入端 (Input)

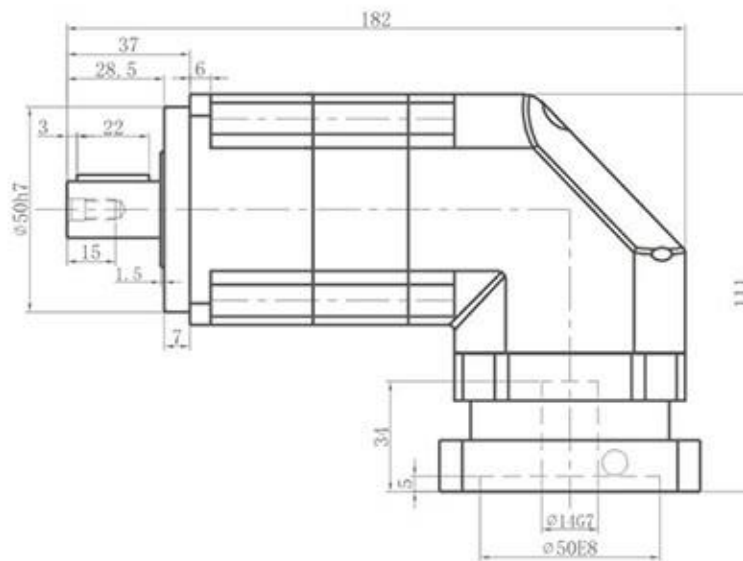
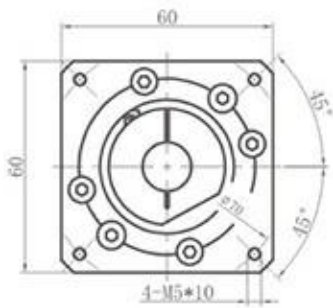


输出端 (Output)

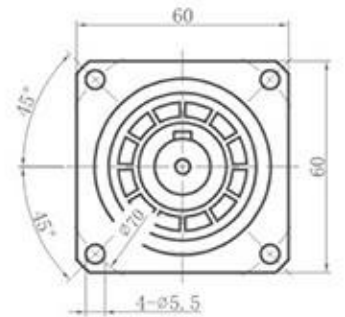


PBR060-L2

输入端 (Input)

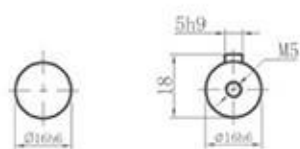


输出端 (Output)



输出轴径

Output Diameter



轴型式 S1 轴型式 S2

性能参数

Performance parameter

PBR060

PBR090

PBR115

PBR142

			L1 单节 One Stage							L2 双节 Two Stage										
速比 Speed	t	i	3	4	5	6	7	8	10	15	20	25	30	35	40	50	60	70	80	100
额定输出力矩 Rated output torque	T ₁	Nm	55	50	60	55	50	45	40	55	50	60	60	60	60	60	55	50	45	40
急停扭矩 Emergency Stop Torque	T ₂	Nm	X3							X3										
额定输入转速 Rated Input Speed	S ₁	rpm	5000							5000										
最大输入转速 Maximum Input Speed	S ₂	rpm	10000							10000										
最大输出力矩 Maximum Output Torque	T ₄	Nm	T ₁ * X3 * 60%							T ₁ * X3 * 60%										
最大径向力 Maximum Radial Force	F _a	N	1570							1570										
最大轴向力 Maximum Axial Force	R	N	765							765										
扭转刚性 Torsional Rigidity	-	Nm/ arcmin	7							7										
效率 Effectivraiss	B	%	>97							>92										
寿命 Life		h	20000							20000										
反馈噪音 Feedback Noise		dB	<63							<63										
重量 Weight		Kg	1.5							2.1										
回程间隙 Backlash	P ₀	arcmin	-							-										
	P ₁		≤ 4							≤ 7										
	P ₂		≤ 6							≤ 9										
使用温度 Operating Temperature		°C	-10°C-90°C							-10°C-90°C										
润滑 Lubricating			合成油脂 Synthetic Grease							合成油脂 Synthetic Grease										
防护等级 Protection Level			IP65							IP65										
传动惯量 Transmission Inatia	J	kg.cm ²	0.35							0.09										
安装方向 Installation Direction			任意方向 Any Direction							任意方向 Any Direction										

备注:

变速比($i=S_{in}/S_{out}$)

结果输出转速100rpm时, 作用于输出轴中心。

连续运转寿命10000h。

噪音值基于输入转速3000rpm, $i=10$ 所得。

Remarks:

Speed ratio ($i=S_{in}/S_{out}$)

When the output speed is 100 rpm, it acts on the center of the output shaft.

For continous operation, the service life is no less than 10,000 hours.

The noise value was measured based on the input rotational speed of 3000 rpm, $i=10$.

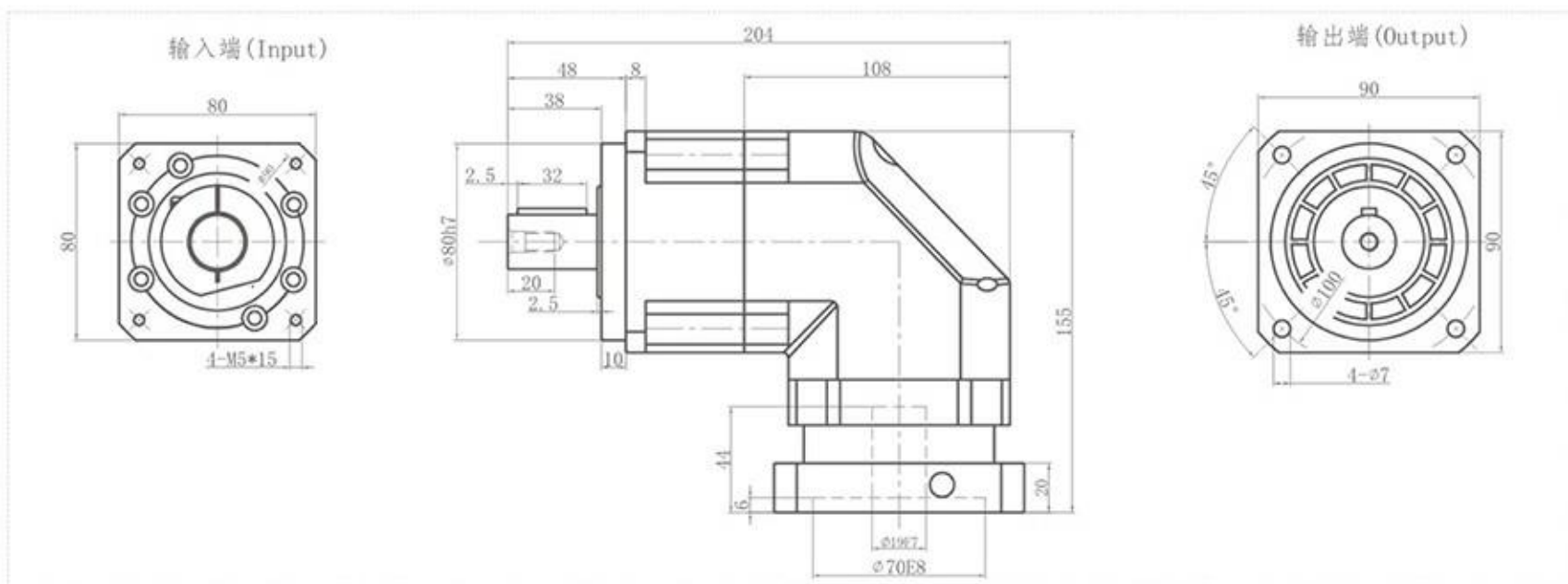
此样本中的所有产品型号及参数如有变更恕不另行通告, 订货前请与本司确认。

Any product models and parameters in this sample are subject to change without prior notice. Please confirm with the company before ordering.

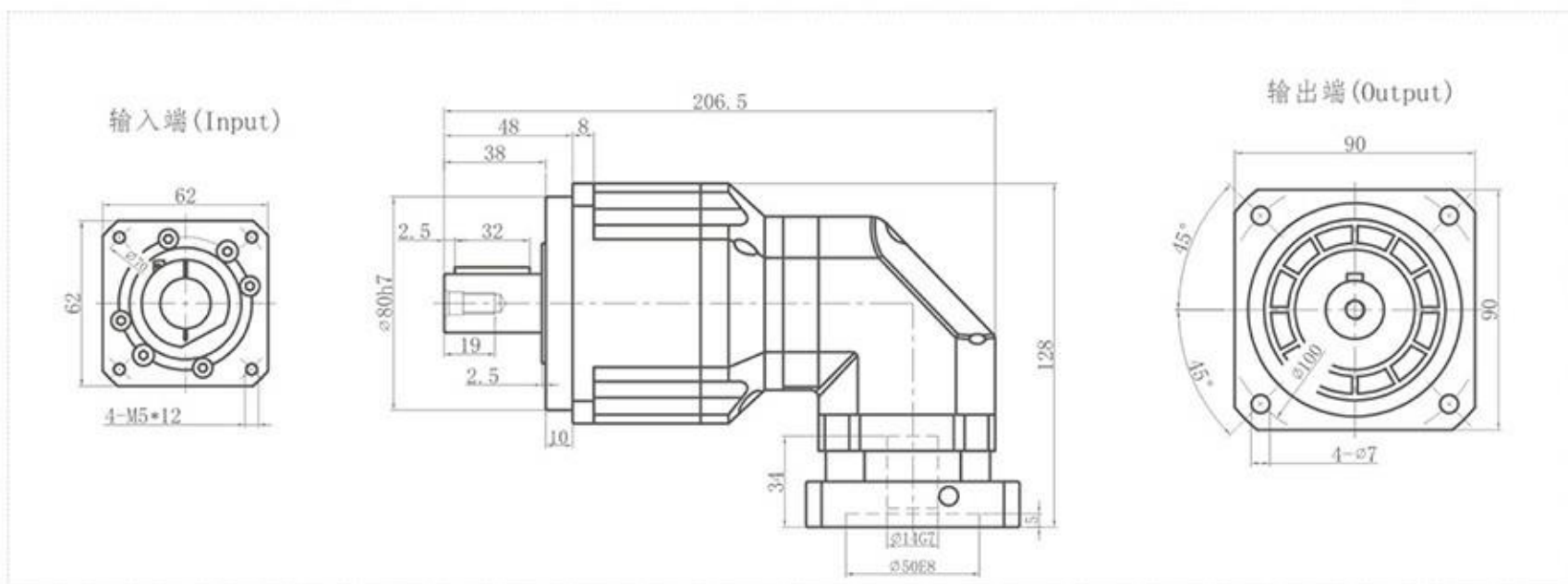
外形尺寸

Dimensions

PBR090-L1

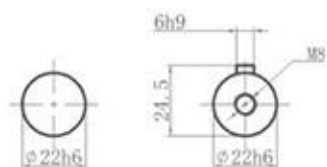


PBR090-L2



输出轴径

Output Diameter



轴型式 S1 轴型式 S2

性能参数

Performance parameter

PBR060			PBR090							PBR115					PBR142					
			L1 单节 One Stage							L2 双节 Two Stage										
速比 Speed	t	i	3	4	5	6	7	8	10	15	20	25	30	35	40	50	60	70	80	100
额定输出力矩 Rated output torque	T ₁	Nm	130	140	160	150	140	120	100	130	140	160	160	160	160	160	150	140	120	100
急停扭矩 Emergency Stop Torque	T ₂	Nm	X3							X3										
额定输入转速 Rated Input Speed	S ₁	rpm	4000							4000										
最大输入转速 Maximum Input Speed	S ₂	rpm	8000							8000										
最大输出力矩 Maximum Output Torque	T ₄	Nm	T ₁ * X3 * 60%							T ₁ * X3 * 60%										
最大径向力 Maximum Radial Force	F _a	N	3250							3250										
最大轴向力 Maximum Axial Force	R	N	1625							1625										
扭转刚性 Torsional Rigidity	-	Nm/ arcmin	14							14										
效率 Effectivraiss	B	%	>97							>92										
寿命 Life		h	20000							20000										
反馈噪音 Feedback Noise		dB	<65							<65										
重量 Weight		Kg	6.4							7.8										
回程间隙 Backlash	P ₀	arcmin	-							-										
	P ₁		≤ 4							≤ 7										
	P ₂		≤ 6							≤ 9										
使用温度 Operating Temperature		°C	-10°C-90°C							-10°C-90°C										
润滑 Lubricating			合成油脂 Synthetic Grease							合成油脂 Synthetic Grease										
防护等级 Protection Level			IP65							IP65										
传动惯量 Transmission Inatia	J	kg.cm ²	2.25							0.35										
安装方向 Installation Direction			任意方向 Any Direction							任意方向 Any Direction										

备注:

变速比($i=S_{in}/S_{out}$)

结果输出转速100rpm时, 作用于输出轴中心。

连续运转寿命10000h。

噪音值基于输入转速3000rpm, $i=10$ 所得。

Remarks:

Speed ratio ($i=S_{in}/S_{out}$)

When the output speed is 100 rpm, it acts on the center of the output shaft.

For continuous operation, the service life is no less than 10,000 hours.

The noise value was measured based on the input rotational speed of 3000 rpm, $i=10$.

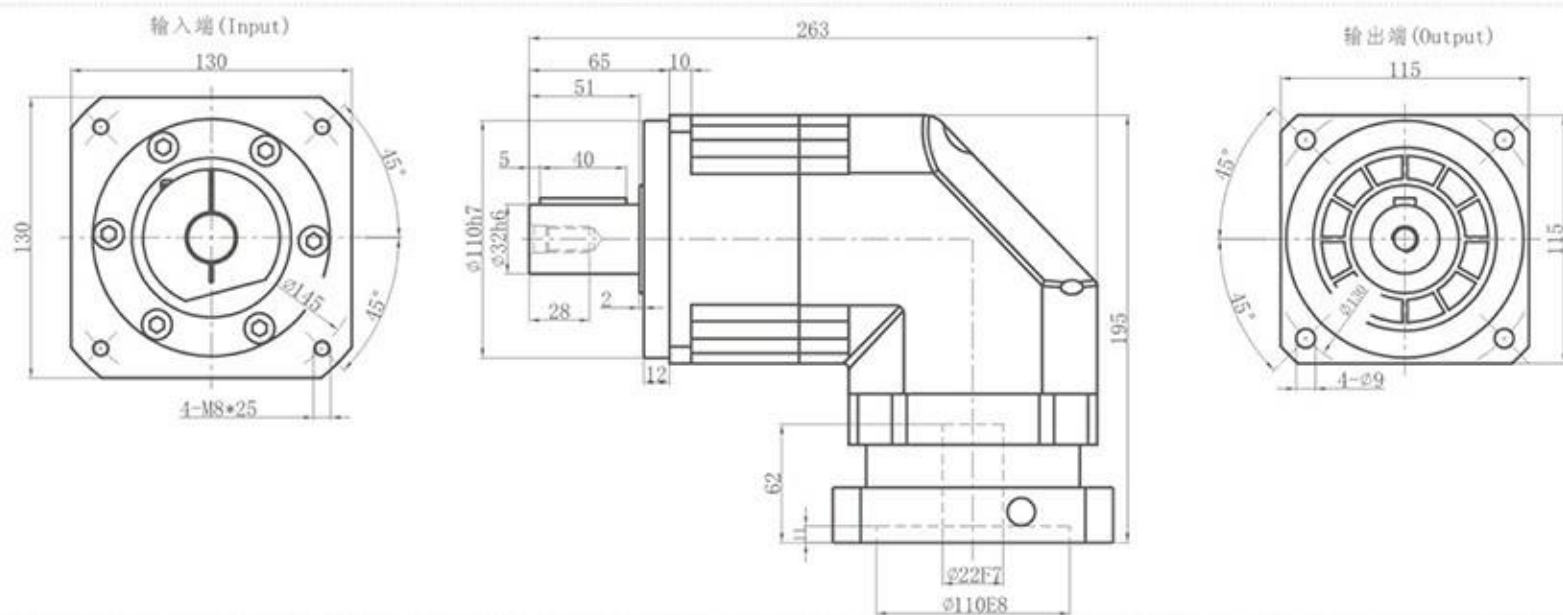
此样本中的所有产品型号及参数如有变更恕不另行通告, 订货前请与本司确认。

Any product models and parameters in this sample are subject to change without prior notice. Please confirm with the company before ordering.

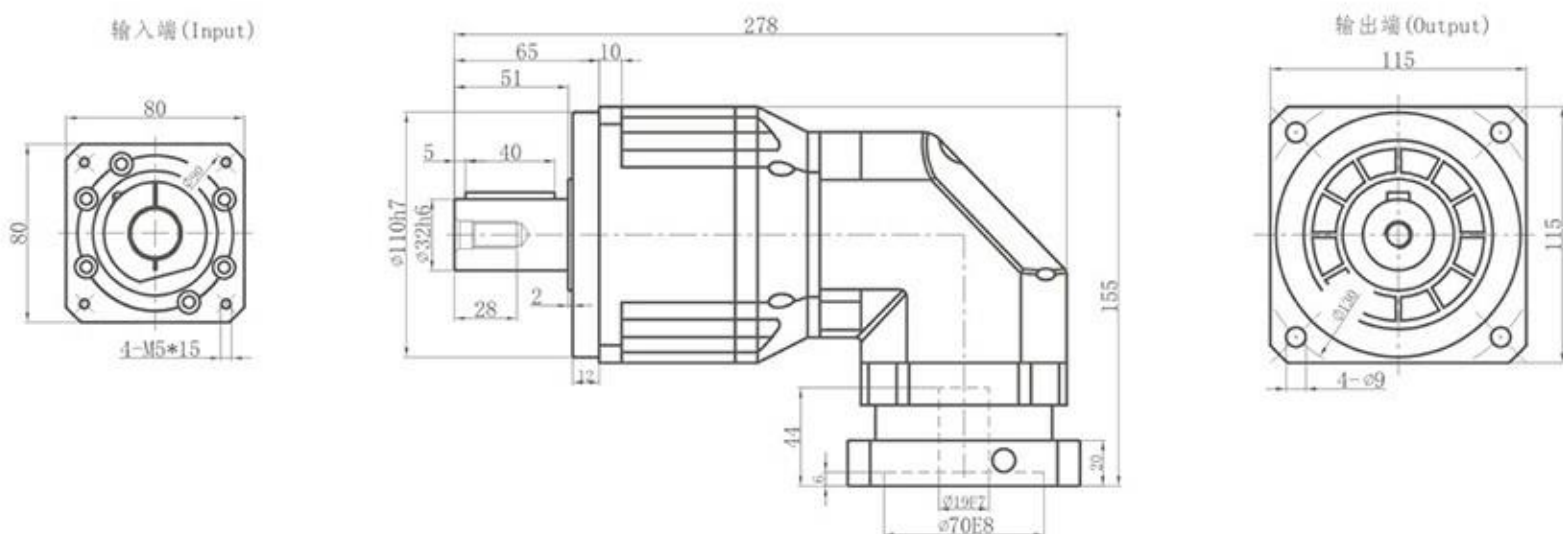
外形尺寸

Dimensions

PBR115-L1

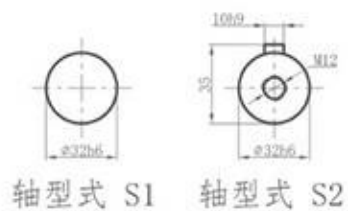


PBR115-L2



输出轴径

Output Diameter



性能参数

Performance parameter

PBR060			PBR090							PBR115										PBR142						
			L1 单节 One Stage							L2 双节 Two Stage																
速比 Speed	t	l	3	4	5	6	7	8	10	15	20	25	30	35	40	50	60	70	80	100						
额定输出转矩 Rated output torque	T ₁	Nm	208	290	330	310	300	260	230	208	290	330	310	300	300	300	300	260	260	230						
急停扭矩 Emergency Stop Torque	T ₂	Nm	X3							X3																
额定输入转速 Rated Input Speed	S ₁	rpm	4000							4000																
最大输入转速 Maximum Input Speed	S ₂	rpm	8000							8000																
最大输出转矩 Maximum Output Torque	T ₄	Nm	T ₁ * X3 * 60%							T ₁ * X3 * 60%																
最大径向力 Maximum Radial Force	F _a	N	6700							6700																
最大轴向力 Maximum Axial Force	R	N	3350							3350																
扭转刚性 Torsional Rigidity	-	Nm/arcmin	25							25																
效率 Effectivraiss	B	%	>97							>92																
寿命 Life		h	20000							20000																
反馈噪音 Feedback Noise		dB	<68							<68																
重量 Weight		Kg	13							14.2																
回程间隙 Backlash	P ₀	arcmin	-							-																
	P ₁		≤ 4							≤ 7																
	P ₂		≤ 6							≤ 9																
使用温度 Operating Temperature		°C	-10°C-90°C							-10°C-90°C																
润滑 Lubricating			合成油脂 Synthetic Grease							合成油脂 Synthetic Grease																
防护等级 Protection Level			IP65							IP65																
传动惯量 Transmission Inatia	J	kg.cm ²	6.84							2.25																
安装方向 Installation Direction			任意方向 Any Direction							任意方向 Any Direction																

备注:

变速比($i=S_{in}/S_{out}$)

结果输出转速100rpm时, 作用于输出轴中心。

连续运转寿命10000h。

噪音值基于输入转速3000rpm, $i=10$ 所得。

Remarks:

Speed ratio ($i=S_{in}/S_{out}$)

When the output speed is 100 rpm, it acts on the center of the output shaft.

For continous operation, the service life is no less than 10,000 hours.

The noise value was measured based on the input rotational speed of 3000 rpm, $i=10$.

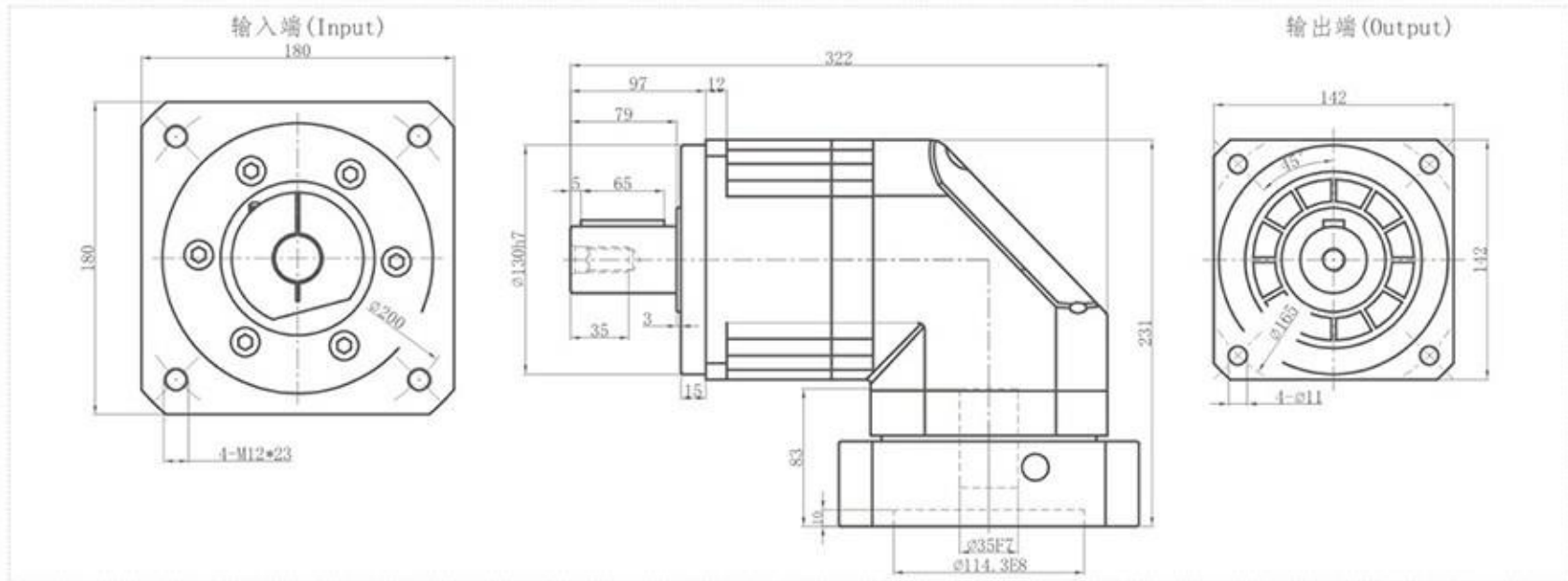
此样本中的所有产品型号及参数如有变更恕不另行通告, 订货前请与本司确认。

Any product models and parameters in this sample are subject to change without prior notice. Please confirm with the company before ordering.

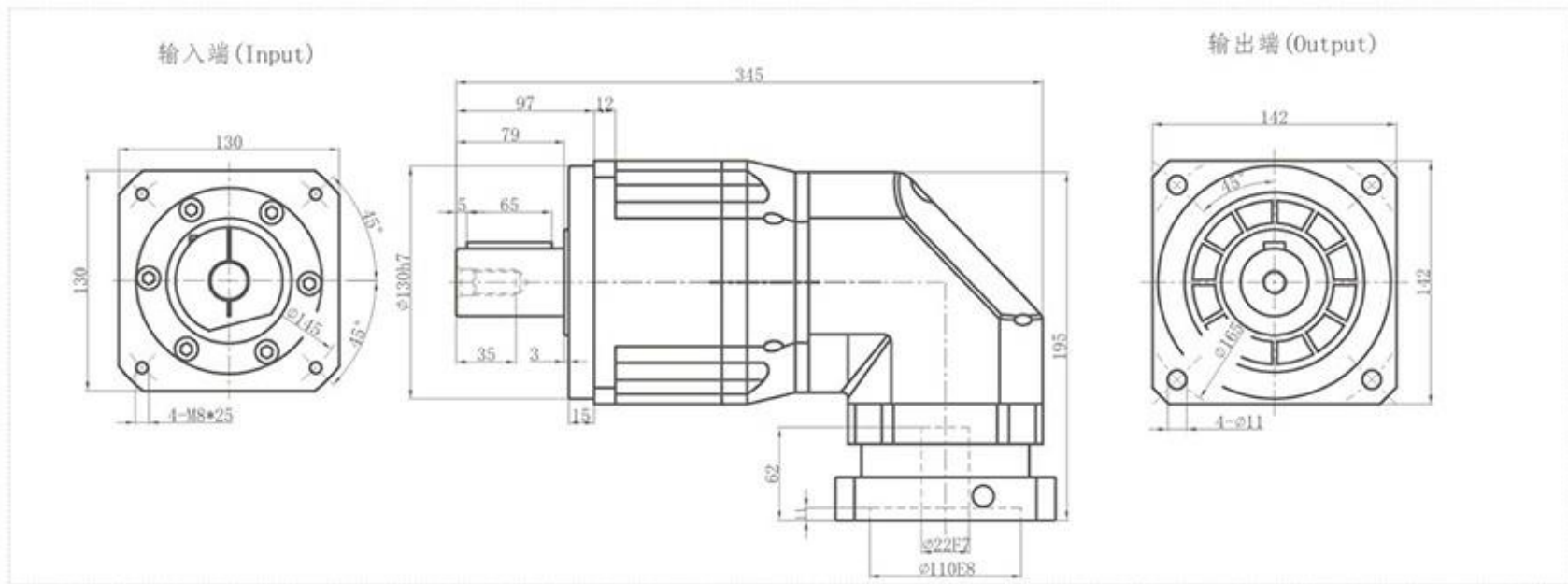
外形尺寸

Dimensions

PBR142-L1



PBR142-L2



输出轴径 Output Diameter



性能参数

Performance parameter

PBR060			PBR090							PBR115							PBR142						
			L1 单节 One Stage							L2 双节 Two Stage													
速比 Speed	t	i	3	4	5	6	7	8	10	15	20	25	30	35	40	50	60	70	80	100			
额定输出力矩 Rated output torque	T ₁	Nm	342	542	650	600	550	500	370	342	520	650	600	550	500	650	600	550	500	450			
急停扭矩 Emergency Stop Torque	T ₂	Nm	X3							X3													
额定输入转速 Rated Input Speed	S ₁	rpm	3000							3000													
最大输入转速 Maximum Input Speed	S ₂	rpm	6000							6000													
最大输出力矩 Maximum Output Torque	T ₄	Nm	T ₁ * X3 * 60%							T ₁ * X3 * 60%													
最大径向力 Maximum Radial Force	F _a	N	9400							9400													
最大轴向力 Maximum Axial Force	R	N	4000							4000													
扭转刚性 Torsional Rigidity	-	Nm/ arcmin	50							50													
效率 Effectivraiss	B	%	>97							>92													
寿命 Life		h	20000							20000													
反馈噪音 Feedback Noise		dB	<70							<70													
重量 Weight		Kg	24.5							27.5													
回程间隙 Backlash	P ₀	arcmin	-							-													
	P ₁		≤ 4							≤ 7													
	P ₂		≤ 6							≤ 9													
使用温度 Operating Temperature		°C	-10°C-90°							-10°C-90°C													
润滑 Lubricating			合成油脂 Synthetic Grease							合成油脂 Synthetic Grease													
防护等级 Protection Level			IP65							IP65													
传动惯量 Transmission Inatia	J	kg.cm ²	23.4							6.84													
安装方向 Installation Direction			任意方向 Any Direction							任意方向 Any Direction													

备注:

变速比(i=S_{in}/S_{out})

结果输出转速100rpm时，作用于输出轴中心。

连续运转寿命10000h。

噪音值基于输入转速3000rpm, i=10所得。

Remarks:

Speed ratio (i=S_{in}/S_{out})

When the output speed is 100 rpm, it acts on the center of the output shaft.

For continuous operation, the service life is no less than 10,000 hours.

The noise value was measured based on the input rotational speed of 3000 rpm, i=10.

此样本中的所有产品型号及参数如有变更恕不另行通告，订货前请与本司确认。

Any product models and parameters in this sample are subject to change without prior notice. Please confirm with the company before ordering.