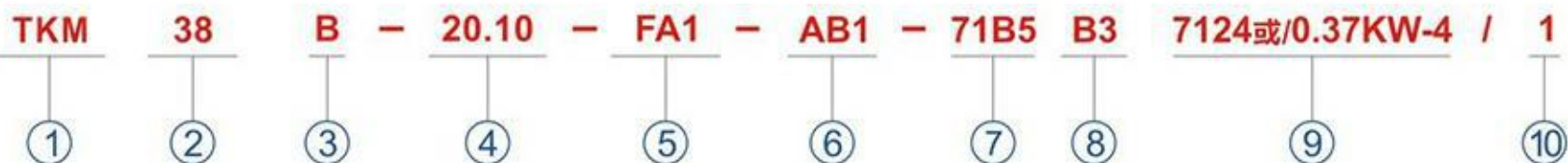






型号说明

减速电机 / Geared motor





NO	说明	Comments
1	制造商代码: T 减速机系列代号: KM	Code for gear units series:TKM
2	减速机规格代号: 18、28、38、48、58、68	Specification code of gear units: 18.28.38.48.58.68
3	1) B: 表示2级传动 2) C: 表示3级传动	1)B:Means 2 stages 2)C:Means 3 stages
4	减速机速比i	Speed ratio of reducer i
5	1.无代号表示不带输出法兰 2.FA, FB,FC,FD,FE (1/2): 输出法兰代号和位置	1.No mark means without output flange 2.FA,FB,FC,FD,FE(1/2):output flange and position
6	1.无代号表示孔输出 2.AB(1/2):单向输出轴和位置 3.AS: 双向输出轴	1.No mark means hole output 2.AB(1/2):Single output shaft and position 3.AS:double output shaft
7	1.输入法兰规格代号(63B5、71B5、71B14... ..) 2.HS: 表示轴输入	1.Input flange code(63B5、71B5、71B14... ..) 2.HS:means shaft input
8	安装方位代号	Installatuon position code
9	1.无代号表示不带电机 2.电机型号或功率、极数	1.No mark means without motor 2.Model motos(poles of power)
10	电机接线盒位置, 默认位置1可以不写	Position of motor terminal box default position 1 not to write out is ok



减速机选型表

P _{1n} [kW]	n ₂ [r/min]	M _{2n} [Nm]	i	i	F _{r2} [N]	fs			Page	
			公称 Nominal	实际 Actual						
0.12	4.6	215	300	303.19	4100	0.60	TKM28C	63B5	6314	45
	5.5	180	250	256.09	4100	0.72				
	6.8	148	200	205.11	4100	0.88				
	9.2	108	150	151.82	4000	1.2				
	11	89	125	127.76	3770	1.5				
	13.7	74	100	102.32	3560	1.3				
	18.5	55	75	75.74	3220	1.5				
	23.5	44	60	59.55	2960	3.0	TKM28B	63B5	6314	45
	27.8	37	50	50.30	2790	3.5				
	34.7	30	40	40.29	2610	4.3				
	46.9	22	30	29.82	2350	5.9				
	55.8	18.1	25	25.10	2200	7.2				
	69.7	15.2	20	20.10	2080	6.6				
	94.1	11.2	15	14.88	1880	7.1				
	109.1	9.4	12.5	12.83	1770	13.8				
	136.2	7.9	10	10.28	1670	12.7				
	184	5.8	7.5	7.61	1510	13.7				
	4.6	223	300	302.36	4800	0.90	TKM38C	63B5	6314	46
	5.5	179	250	255.39	4800	1.1				
	6.8	145	200	204.54	4800	1.2				
	9.4	112	150	149.26	4650	1.8				
	11	90	125	127.41	4330	2.0				
	13.7	75	100	102.04	4070	2.0				
	18.8	54	75	74.46	3650	2.0				
	23.5	46	60	59.55	3430	4.4	TKM38B	63B5	6314	46
	27.8	37	50	50.30	3190	5.5				
	34.7	30	40	40.29	2970	6.1				
	47.6	23	30	29.40	2720	8.8				
4.6	219	300	302.72	6500	1.6	TKM48C	63B5	6314	47	
5.5	177	250	255.69	6500	2.0					
6.8	148	200	204.78	6500	2.0					
9.4	111	150	149.44	6500	3.1					
11	93	125	127.56	5980	3.2					
13.7	73	100	102.16	5520	3.3					
18.8	56	75	74.55	5040	3.6					
4.6	217	300	303.73	8300	2.3	TKM 58C	63B5	6314	48	
5.5	177	250	256.55	8300	2.8					
6.8	148	200	205.47	8300	3.2					
9.3	111	150	149.94	8050	4.5					
0.18	9.2	161	300	303.19	4000	0.81	TKM 28C	63B5	6312	45
	10.9	135	250	256.09	3790	0.96				
	13.7	111	200	205.11	3550	1.2				
	18.4	81	150	151.82	3200	1.6				
	21.9	66	125	127.76	2990	2.0				
	27.4	56	100	102.32	2820	1.8				
	37	41	75	75.74	2550	1.9				
	11	133	125	127.76	3770	0.98	TKM 28C	63B5	6324	45
	13.7	112	100	102.32	3560	0.90				
18.5	82	75	75.74	3220	0.97					



减速机选型表

P _{1n} [kW]	n ₂ [r/min]	M _{2n} [Nm]	i		F _{r2} [N]	fs			Page	
			公称 Nominal	实际 Actual						
0.18	23.5	66	60	59.55	2960	2.0	TKM28B	63B5	6324	45
	27.8	55	50	50.30	2790	2.4				
	34.7	45	40	40.29	2610	2.9				
	46.9	33	30	29.82	2350	3.9				
	55.8	27	25	25.10	2200	4.8				
	69.7	23	20	20.10	2080	4.4				
	94.1	16.9	15	14.88	1880	4.7				
	15.1	103	60	59.55	3430	1.3	TKM28B	71B5/B14	7116	45
	17.9	86	50	50.30	3240	1.5				
	22.3	70	40	40.29	3030	1.8				
	30.2	52	30	29.82	2730	2.5				
	35.9	42	25	25.10	2550	3.1				
	44.8	36	20	20.10	2410	2.8				
	60.5	26	15	14.88	2180	3.1				
	70.1	22	12.5	12.83	2050	5.9				
	87.5	18.4	10	10.28	1930	5.4				
	118.4	13.6	7.5	7.61	1750	5.9				
	9.3	167	300	302.36	4650	1.2	TKM38C	63B5	6312	46
	11	135	250	255.39	4330	1.5				
	13.7	109	200	204.54	4030	1.7				
	18.8	84	150	149.26	3690	2.4				
	22	68	125	127.41	3440	2.7				
	27.4	56	100	102.04	3230	2.7				
	37.6	41	75	74.46	2900	2.7				
	6.8	217	200	204.54	4800	0.83	TKM38C	63B5	6324	46
	9.4	167	150	149.26	4650	1.2				
	11	135	125	127.41	4330	1.3				
	13.7	112	100	102.04	4070	1.3				
	18.8	81	75	74.46	3650	1.4				
	23.5	68	60	59.55	3430	2.9	TKM38B	63B5	6324	46
	27.8	55	50	50.30	3190	3.6				
	34.7	44	40	40.29	2970	4.1				
	7.1	210	125	127.41	4800	0.86	TKM38C	71B5/B14	7116	46
	8.8	174	100	102.04	4720	0.86				
	12.1	126	75	74.46	4230	0.87				
	15.1	106	60	59.55	3970	1.9	TKM38B	71B5/B14	7116	46
	17.9	86	50	50.30	3690	2.3				
	22.3	69	40	40.29	3440	2.6				
	30.6	53	30	29.40	3150	3.8				
	35.9	43	25	25.10	2930	4.2				
	44.8	36	20	20.10	2760	4.2				
	61.3	26	15	14.67	2470	4.3				
9.2	164	300	302.72	6320	2.1	TKM48C				
11	133	250	255.69	5890	2.6					
13.7	111	200	204.78	5540	2.7					
18.7	84	150	149.44	5040	4.2					
4.6	328	300	302.72	6500	1.1	TKM48C	63B5	6324	47	
5.5	266	250	255.69	6500	1.3					
6.8	222	200	204.78	6500	1.4					
9.4	167	150	149.44	6500	2.1					
11	139	125	127.56	5980	2.2					
13.7	110	100	102.16	5520	2.2					
18.8	83	75	74.55	5040	2.4					



减速机选型表

P _{1n} [kW]	n ₂ [r/min]	M _{2n} [Nm]	i	i	F _{r2} [N]	fs			Page		
			公称 Nominal	实际 Actual							
0.18	3.5	414	250	255.69	6500	0.85	TKM48C	71B5/B14	7116	47	
	4.4	345	200	204.78	6500	0.87					
	6.0	260	150	149.44	6500	1.3					
	7.1	217	125	127.56	6500	1.4					
	8.8	171	100	102.16	6400	1.4					
	12.1	130	75	74.55	5840	1.5					
	15.1	104	60	59.55	5390	3.4	TKM48B	71B5/B14	7116	47	
	17.9	85	50	50.30	5030	4.1					
	22.3	71	40	40.29	4730	4.3					
	9.2	163	300	303.73	7990	3.1	TKM58C	63B5	6312	48	
	10.9	133	250	256.55	7470	3.8					
	13.6	111	200	205.47	7030	4.3					
	4.6	326	300	303.73	8300	1.5	TKM58C	63B5	6324	48	
	5.5	266	250	256.55	8300	1.9					
	6.8	222	200	205.47	8300	2.2					
	9.3	167	150	149.94	8050	3.0					
	11	139	125	127.98	7580	3.4					
	13.7	110	100	102.50	7000	3.5					
	18.7	83	75	74.80	6390	3.6					
	3.0	507	300	303.73	8300	0.99					
	3.5	414	250	256.55	8300	1.2	TKM58C	71B5/B14	7116	48	
	4.4	345	200	205.47	8300	1.4					
	6.0	260	150	149.94	8300	1.9					
	7.0	217	125	127.98	8300	2.2					
	8.8	171	100	102.50	8110	2.2					
	12.0	130	75	74.80	7400	2.3					
	0.25	18.4	113	150	151.82	3200					1.2
		21.9	92	125	127.76	2990	1.4				
27.4		78	100	102.32	2820	1.3					
37		57	75	75.74	2550	1.4					
23.5		92	60	59.55	2960	1.4	TKM28B	71B5/B14	7114	45	
27.8		77	50	50.30	2790	1.7					
34.7		63	40	40.29	2610	2.1					
46.9		46	30	29.82	2350	2.8					
55.8		38	25	25.10	2200	3.4					
69.7		32	20	20.10	2080	3.2					
94.1		23	15	14.88	1880	3.4					
15.1		142	60	59.55	3430	0.91					
17.9		119	50	50.30	3240	1.1	TKM28B	71B5/B14	7126	45	
22.3		98	40	40.29	3030	1.3					
30.2		72	30	29.82	2730	1.8					
35.9		59	25	25.10	2550	2.2					
44.8		49	20	20.10	2410	2.0					
60.5		36	15	14.88	2180	2.2					
70.1	30	12.5	12.83	2050	4.3						
87.5	26	10	10.28	1930	3.9						
118.4	18.9	7.5	7.61	1750	4.2						



减速机选型表

P _{1n} [kW]	n ₂ [r/min]	M _{2n} [Nm]	i	i	F _{r2} [N]	fs			Page
			公称 Nominal	实际 Actual					
0.25	9.3	232	300	302.36	4650	0.86	TKM38C 63B5	6322	46
	11	187	250	255.39	4330	1.1			
	13.7	151	200	204.54	4030	1.2			
	18.8	116	150	149.26	3690	1.7			
	22	94	125	127.41	3440	1.9			
	27.4	78	100	102.04	3230	1.9			
	37.6	56	75	74.46	2900	2.0			
	9.4	233	150	149.26	4650	0.86	TKM38C 71B5/B14	7114	46
	11	188	125	127.41	4330	0.96			
	13.7	155	100	102.04	4070	0.97			
	18.8	113	75	74.46	3650	0.98			
	23.5	95	60	59.55	3430	2.1	TKM38B 71B5/B14	7114	46
	27.8	76	50	50.30	3190	2.6			
	34.7	62	40	40.29	2970	2.9			
	47.6	48	30	29.40	2720	4.2			
	15.1	148	60	59.55	3970	1.4	TKM38B 71B5/B14	7126	46
	17.9	119	50	50.30	3690	1.7			
	22.3	96	40	40.29	3440	1.9			
	30.6	74	30	29.40	3150	2.7			
	35.9	60	25	25.10	2930	3.0			
	44.8	49	20	20.10	2760	3.0			
	61.3	36	15	14.67	2470	3.1			
	9.3	228	300	302.72	6320	1.5	TKM48C 63B5	6322	47
	11	185	250	255.69	5890	1.9			
	13.7	154	200	204.78	5540	1.9			
	18.8	116	150	149.44	5040	3.0			
	22	97	125	127.56	4750	3.1			
	27.4	76	100	102.16	4380	3.2			
	37.6	58	75	74.55	4000	3.5			
	5.5	370	250	255.69	6500	0.95	TKM48C 71B5/B14	7114	47
	6.8	308	200	204.78	6500	0.97			
	9.4	232	150	149.44	6500	1.5			
	11	193	125	127.56	5980	1.6			
	13.7	152	100	102.16	5520	1.6			
	18.8	116	75	74.55	5040	1.7			
	23.5	93	60	59.55	4660	3.8	TKM48B 71B5/B14	7114	47
	27.8	76	50	50.30	4340	4.6			
	6.0	361	150	149.44	6500	0.97	TKM48C 71B5/B14	7126	47
	7.1	301	125	127.56	6500	1.00			
	8.8	237	100	102.16	6400	1.0			
	12.1	180	75	74.55	5840	1.1			
	15.1	145	60	59.55	5390	2.4	TKM48B 71B5/B14	7126	47
	17.9	118	50	50.30	5030	3.0			
	22.3	98	40	40.29	4730	3.1			
	9.2	227	300	303.73	7990	2.2	TKM58C 63B5	6322	48
	10.9	185	250	256.55	7470	2.7			
	13.6	154	200	205.47	7030	3.1			
	18.7	116	150	149.94	6390	4.3			
4.6	453	300	303.73	8300	1.1	TKM58C 71B5/B14	7114	48	
5.5	370	250	256.55	8300	1.4				



减速机选型表

	P_{1n}	n_2	M_{2n}	i	i	F_{r2}	f_s			Page
	[kW]	[r/min]	[Nm]	公称 Nominal	实际 Actual	[N]				
0.25	6.8	308	200	205.47	8300	1.6	TKM58C 71B5/B14	7114	48	
	9.3	232	150	149.94	8050	2.2				
	11	193	125	127.98	7580	2.5				
	13.7	152	100	102.50	7000	2.5				
	18.7	116	75	74.80	6390	2.6				
	3.0	705	300	303.73	8300	0.71	TKM58C 71B5/B14	7126	48	
	3.5	575	250	256.55	8300	0.87				
	4.4	479	200	205.47	8300	1.0				
	6.0	361	150	149.94	8300	1.4				
	7.0	301	125	127.98	8300	1.6				
	8.8	237	100	102.50	8110	1.6				
	12.0	180	75	74.80	7400	1.7				
	15.1	144	60	59.55	6820	3.5	TKM58B 71B5/B14	7126	48	
	17.9	118	50	50.30	6370	4.3				
0.37	21.9	137	125	127.76	2990	0.95	TKM28C 71B5/B14	7112	45	
	27.4	115	100	102.32	2820	0.87				
	37	85	75	75.74	2550	0.94				
	23.5	136	60	59.55	2960	0.96	TKM28B 71B5/B14	7124	45	
	27.8	113	50	50.30	2790	1.1				
	34.7	93	40	40.29	2610	1.4				
	46.9	68	30	29.82	2350	1.9				
	55.8	56	25	25.10	2200	2.3				
	69.7	47	20	20.10	2080	2.1				
	94.1	35	15	14.88	1880	2.3				
	109.1	29	12.5	12.83	1770	4.5				
	136.2	24	10	10.28	1670	4.1				
	184	17.9	7.5	7.61	1510	4.5				
	22.3	145	40	40.29	3030	0.90				TKM28B 80B5/B14
	30.2	106	30	29.82	2730	1.2				
	35.9	87	25	25.10	2550	1.5				
	44.8	73	20	20.10	2410	1.4				
	60.5	54	15	14.88	2180	1.5				
	70.1	45	12.5	12.83	2050	2.9				
	87.5	38	10	10.28	1930	2.6				
	118.4	28	7.5	7.61	1750	2.9				
	18.8	172	150	149.26	3690	1.2	TKM38C 71B5/B14	7112	46	
	22	139	125	127.41	3440	1.3				
	27.4	115	100	102.04	3230	1.3				
37.6	83	75	74.46	2900	1.3					
23.5	140	60	59.55	3430	1.4	TKM38B 71B5/B14	7124	46		
27.8	113	50	50.30	3190	1.8					
34.7	91	40	40.29	2970	2.0					
47.6	70	30	29.40	2720	2.8					
55.8	57	25	25.10	2530	3.2					
69.7	47	20	20.10	2380	3.2					
95.4	34	15	14.67	2130	3.2					



减速机选型表

P _{1n} [kW]	n ₂ [r/min]	M _{2n} [Nm]	i	i	F _{r2} [N]	fs			Page	
			公称 Nominal	实际 Actual						
0.37	15.1	219	60	59.55	3970	0.92	TKM38B	80B5/B14	8016	46
	17.9	176	50	50.30	3690	1.1				
	22.3	142	40	40.29	3440	1.3				
	30.6	109	30	29.40	3150	1.8				
	35.9	88	25	25.10	2930	2.0				
	44.8	73	20	20.10	2760	2.1				
	61.3	53	15	14.67	2470	2.1				
	70.1	46	12.5	12.83	2360	3.9				
	87.5	38	10	10.28	2210	4.0				
	120	27	7.5	7.50	1990	4.0				
	9.3	338	300	302.72	6320	1.0	TKM48C	71B5/B14	7112	47
	11	274	250	255.69	5890	1.3				
	13.7	228	200	204.78	5540	1.3				
	18.8	172	150	149.44	5040	2.0				
	22	143	125	127.56	4750	2.1				
	27.4	113	100	102.16	4380	2.1				
	37.6	86	75	74.55	4000	2.3				
	9.4	343	150	149.44	6500	1.0	TKM48C	71B5/B14	7124	47
	11	286	125	127.56	5980	1.0				
	13.7	225	100	102.16	5520	1.1				
	18.8	171	75	74.55	5040	1.2				
	23.5	138	60	59.55	4660	2.5	TKM48B	71B5/B14	7124	47
	27.8	112	50	50.30	4340	3.1				
	34.7	93	40	40.29	4080	3.2				
	15.1	215	60	59.55	5390	1.6	TKM48B	80B5/B14	8016	47
	17.9	174	50	50.30	5030	2.0				
	22.3	145	40	40.29	4730	2.1				
	30.6	109	30	29.40	4310	3.2				
	35.9	91	25	25.10	4050	3.3				
	44.8	72	20	20.10	3740	3.3				
	61.3	55	15	14.67	3410	3.7				
	9.2	335	300	303.73	7990	1.5	TKM58C	71B5/B14	7112	48
	10.9	274	250	256.55	7470	1.8				
	13.6	228	200	205.47	7030	2.1				
	18.7	172	150	149.94	6390	2.9				
	21.9	143	125	127.98	6010	3.4				
27.3	113	100	102.50	5550	3.4					
37.4	86	75	74.80	5070	3.5					
4.6	671	300	303.73	8300	0.75	TKM58C				
5.5	547	250	256.55	8300	0.91					
6.8	456	200	205.47	8300	1.1					
9.3	343	150	149.94	8050	1.5					
11	286	125	127.98	7580	1.7					
13.7	225	100	102.50	7000	1.7					
18.7	171	75	74.80	6390	1.8					



减速机选型表

P _{1n} [kW]	n ₂ [r/min]	M _{2n} [Nm]	i		F _{r2} [N]	fs			Page	
			公称 Nominal	实际 Actual						
0.37	23.5	137	60	59.55	5890	3.6	TKM58B	71B5/B14	7124	48
	27.8	112	50	50.30	5500	4.5				
	6.0	534	150	149.94	8300	0.94	TKM58C	80B5/B14	8016	48
	7.0	445	125	127.98	8300	1.1				
	8.8	351	100	102.50	8110	1.1				
	12.0	267	75	74.80	7400	1.1				
	15.1	213	60	59.55	6820	2.3	TKM58B	80B5/B14	8016	48
	17.9	174	50	50.30	6370	2.9				
22.3	145	40	40.29	6000	3.3					
0.55	34.7	138	40	40.29	2610	0.94	TKM28B	80B5/B14	8014	45
	46.9	101	30	29.82	2350	1.3				
	55.8	83	25	25.10	2200	1.6				
	69.7	70	20	20.10	2080	1.4				
	94.1	51	15	14.88	1880	1.6				
	109.1	43	12.5	12.83	1770	3.0				
	136.2	36	10	10.28	1670	2.8				
	184	27	7.5	7.61	1510	3.0				
	35.9	129	25	25.10	2550	1.0	TKM28B	80B5/B14	8026	45
	44.8	109	20	20.10	2410	0.92				
	60.5	80	15	14.88	2180	1.00				
	70.1	67	12.5	12.83	2050	1.9				
	87.5	56	10	10.28	1930	1.8				
	118.4	42	7.5	7.61	1750	1.9				
	22	206	125	127.41	3440	0.87	TKM38C	71B5/B14	7122	46
	27.4	171	100	102.04	3230	0.88				
	37.6	124	75	74.46	2900	0.89				
	23.5	209	60	59.55	3430	0.96	TKM38B	80B5/B14	8014	46
	27.8	168	50	50.30	3190	1.2				
	34.7	136	40	40.29	2970	1.3				
	47.6	105	30	29.40	2720	1.9				
	55.8	84	25	25.10	2530	2.1				
	69.7	70	20	20.10	2380	2.1				
95.4	51	15	14.67	2130	2.2					
109.1	44	12.5	12.83	2030	4.1					
136.2	36	10	10.28	1910	4.1					
186.7	26	7.5	7.50	1710	4.2					
22.3	211	40	40.29	3440	0.85	TKM38B	80B5/B14	8026	46	
30.6	163	30	29.40	3150	1.2					
35.9	131	25	25.10	2930	1.4					
44.8	109	20	20.10	2760	1.4					
61.3	79	15	14.67	2470	1.4					
70.1	68	12.5	12.83	2360	2.6					
87.5	56	10	10.28	2210	2.7					
120	41	7.5	7.50	1990	2.7					



减速机选型表

P _{1n} [kW]	n ₂ [r/min]	M _{2n} [Nm]	i		F _{r2} [N]	fs			Page	
			公称 Nominal	实际 Actual						
0.55	11	407	250	255.69	5890	0.86	TKM48C	71B5/B14	7122	47
	13.7	339	200	204.78	5540	0.89				
	18.8	255	150	149.44	5040	1.4				
	22	213	125	127.56	4750	1.4				
	27.4	168	100	102.16	4380	1.4				
	37.6	127	75	74.55	4000	1.6				
	18.8	255	75	74.55	5040	0.79	TKM48C	80B5/B14	8014	47
	23.5	205	60	59.55	4660	1.7	TKM48B	80B5/B14	8014	47
	27.8	166	50	50.30	4340	2.1				
	34.7	139	40	40.29	4080	2.2				
	47.6	104	30	29.40	3720	3.4				
	55.8	87	25	25.10	3500	3.5				
	69.7	68	20	20.10	3230	3.5				
	95.4	52	15	14.67	2950	3.8				
	15.1	319	60	59.55	5390	1.1				
	17.9	259	50	50.30	5030	1.4				
	22.3	215	40	40.29	4730	1.4				
	30.6	162	30	29.40	4310	2.2				
	35.9	135	25	25.10	4050	2.2				
	44.8	107	20	20.10	3740	2.3				
	61.3	81	15	14.67	3410	2.5				
	9.2	498	300	303.73	7990	1.0	TKM58C	71B5/B14	7122	48
	10.9	407	250	256.55	7470	1.2				
	13.6	339	200	205.47	7030	1.4				
	18.7	255	150	149.94	6390	2.0				
	21.9	213	125	127.98	6010	2.3				
	27.3	168	100	102.50	5550	2.3				
	37.4	127	75	74.80	5070	2.4				
9.3	511	150	149.94	8050	0.98	TKM58C				
11	425	125	127.98	7580	1.1					
13.7	335	100	102.50	7000	1.1					
18.7	255	75	74.80	6390	1.2					
23.5	204	60	59.55	5890	2.5	TKM58B	80B5/B14	8014	48	
27.8	166	50	50.30	5500	3.0					
34.7	139	40	40.29	5170	3.5					
47.6	104	30	29.40	4710	4.8					
15.1	317	60	59.55	6820	1.6	TKM58B	80B5/B14	8026	48	
17.9	259	50	50.30	6370	1.9					
22.3	215	40	40.29	6000	2.2					
30.6	162	30	29.40	5460	3.1					
35.9	135	25	25.10	5130	3.5					
44.8	107	20	20.10	4740	3.6					
61.3	81	15	14.67	4330	3.7					



减速机选型表

P _{1n} [kW]	n ₂ [r/min]	M _{2n} [Nm]	i	i	F _{r2} [N]	fs			Page
			公称 Nominal	实际 Actual					
0.75	46.9	138	30	29.82	2350	0.94	TKM28B 80B5/B14	8024	45
	55.8	113	25	25.10	2200	1.1			
	69.7	95	20	20.10	2080	1.1			
	94.1	70	15	14.88	1880	1.1			
	109.1	59	12.5	12.83	1770	2.2			
	136.2	49	10	10.28	1670	2.0			
	184	36	7.5	7.61	1510	2.2			
	70.1	91	12.5	12.83	2050	1.4	TKM28B 90B5/B14	90S6	45
	87.5	77	10	10.28	1930	1.3			
	118.4	57	7.5	7.61	1750	1.4			
	27.8	229	50	50.30	3190	0.87	TKM38B 80B5/B14	8024	46
	34.7	185	40	40.29	2970	0.97			
	47.6	143	30	29.40	2720	1.4			
	55.8	115	25	25.10	2530	1.6			
	69.7	95	20	20.10	2380	1.6			
	95.4	69	15	14.67	2130	1.6			
	109.1	60	12.5	12.83	2030	3.0			
	136.2	49	10	10.28	1910	3.0			
	186.7	36	7.5	7.50	1710	3.1			
	30.6	222	30	29.40	3150	0.90	TKM38B 90B5/B14	90S6	46
	35.9	179	25	25.10	2930	1.0			
	44.8	148	20	20.10	2760	1.0			
	61.3	107	15	14.67	2470	1.0			
	70.1	93	12.5	12.83	2360	1.9			
	87.5	77	10	10.28	2210	2.0			
	120	56	7.5	7.50	1990	2.0			
	18.7	348	150	149.44	5040	1.0	TKM48C 80B5/B14	8012	47
	22	290	125	127.56	4750	1.0			
27.4	228	100	102.16	4380	1.1				
37.6	174	75	74.55	4000	1.2				
23.5	280	60	59.55	4660	1.3	TKM48B 80B5/B14	8024	47	
27.8	227	50	50.30	4340	1.5				
34.7	189	40	40.29	4080	1.6				
47.6	142	30	29.40	3720	2.5				
55.8	119	25	25.10	3500	2.5				
69.7	93	20	20.10	3230	2.6				
95.4	71	15	14.67	2950	2.8				
17.9	353	50	50.30	5030	0.99	TKM48B 90B5/B14	90S6	47	
22.3	294	40	40.29	4730	1.0				
30.6	221	30	29.40	4310	1.6				
35.9	184	25	25.10	4050	1.6				
44.8	145	20	20.10	3740	1.7				
61.3	110	15	14.67	3410	1.8				
70.1	91	12.5	12.83	3210	3.3				
87.5	72	10	10.28	2960	3.3				
120	55	7.5	7.50	2700	3.7				



减速机选型表

P _{1n} [kW]	n ₂ [r/min]	M _{2n} [Nm]	i	i	F _{r2} [N]	fs			Page	
			公称 Nominal	实际 Actual						
0.75	10.9	555	250	256.55	7470	0.90	TKM58C	80B5/B14	8012	48
	13.6	462	200	205.47	7030	1.0				
	18.7	348	150	149.94	6390	1.4				
	21.9	290	125	127.98	6010	1.7				
	27.3	228	100	102.50	5550	1.7				
	37.4	174	75	74.80	5070	1.7				
	11	580	125	127.98	7580	0.83	TKM58C	80B5/B14	8024	48
	13.7	457	100	102.50	7000	0.83				
	18.7	347	75	74.80	6390	0.86				
	23.5	278	60	59.55	5890	1.8	TKM58B	80B5/B14	8024	48
	27.8	227	50	50.30	5500	2.2				
	34.7	189	40	40.29	5170	2.5				
	47.6	142	30	29.40	4710	3.5				
	55.8	119	25	25.10	4430	4.0				
	69.7	93	20	20.10	4090	4.1				
	95.4	71	15	14.67	3730	4.2				
	15.1	432	60	59.55	6820	1.2	TKM58B	90B5/B14	90S6	48
	17.9	353	50	50.30	6370	1.4				
22.3	294	40	40.29	6000	1.6					
30.6	221	30	29.40	5460	2.3					
35.9	184	25	25.10	5130	2.6					
44.8	145	20	20.10	4740	2.6					
61.3	110	15	14.67	4330	2.7					
1.1	109.1	86	12.5	12.83	1770	1.5	TKM28B	90B5/B14	90S4	45
	136.2	72	10	10.28	1670	1.4				
	184	53	7.5	7.61	1510	1.5				
	70.1	134	12.5	12.83	2050	0.97	TKM28B	90B5/B14	90L6	45
	87.5	112	10	10.28	1930	0.89				
	118.4	83	7.5	7.61	1750	0.96				
	47.6	209	30	29.40	2720	0.96				
	55.8	169	25	25.10	2530	1.1	TKM38B	90B5/B14	90S4	46
	69.7	140	20	20.10	2380	1.1				
	95.4	101	15	14.67	2130	1.1				
	109.1	87	12.5	12.83	2030	2.1				
	136.2	72	10	10.28	1910	2.1				
	186.7	52	7.5	7.50	1710	2.1				
	70.1	136	12.5	12.83	2360	1.3	TKM38B	90B5/B14	90L6	46
	87.5	113	10	10.28	2210	1.3				
	120	82	7.5	7.50	1990	1.3				
	23.5	410	60	59.55	4660	0.85	TKM48B	90B5/B14	90S4	47
	27.8	333	50	50.30	4340	1.1				
34.7	277	40	40.29	4080	1.1					
47.6	209	30	29.40	3720	1.7					
55.8	174	25	25.10	3500	1.7					
69.7	137	20	20.10	3230	1.8					
95.4	104	15	14.67	2950	1.9					
109.1	86	12.5	12.83	2770	3.5					
136.2	68	10	10.28	2550	3.5					
186.7	52	7.5	7.50	2330	3.9					



减速机选型表

P _{1n} [kW]	n ₂ [r/min]	M _{2n} [Nm]	i	i	F _{r2} [N]	fs			Page			
			公称 Nominal	实际 Actual								
1.1	30.6	325	30	29.40	4310	1.1	TKM48B 90B5/B14	90L6	47			
	35.9	271	25	25.10	4050	1.1						
	44.8	213	20	20.10	3740	1.1						
	61.3	162	15	14.67	3410	1.2						
	70.1	134	12.5	12.83	3210	2.2						
	87.5	106	10	10.28	2960	2.3						
	120	80	7.5	7.50	2700	2.5						
	18.7	511	150	149.94	6390	0.98	TKM58C 80B5/B14	8022	48			
	21.9	425	125	127.98	6010	1.1						
	27.3	335	100	102.50	5550	1.1						
	37.4	255	75	74.80	5070	1.2						
	23.5	408	60	59.55	5890	1.2	TKM58B 90B5/B14	90S4	48			
	27.8	333	50	50.30	5500	1.5						
	34.7	277	40	40.29	5170	1.7						
	47.6	209	30	29.40	4710	2.4						
	55.8	174	25	25.10	4430	2.8	TKM58B 90B5/B14	90S4	48			
	69.7	137	20	20.10	4090	2.8						
	95.4	104	15	14.67	3730	2.9						
	15.1	634	60	59.55	6820	0.79	TKM58B 90B5/B14	90L6	48			
	17.9	517	50	50.30	6370	0.97						
	22.3	431	40	40.29	6000	1.1						
	30.6	325	30	29.40	5460	1.5						
	35.9	271	25	25.10	5130	1.8						
	44.8	213	20	20.10	4740	1.8						
	61.3	162	15	14.67	4330	1.9						
	70.1	134	12.5	12.83	4060	3.6						
	87.5	106	10	10.28	3750	3.6						
	120	80	7.5	7.50	3420	3.7						
1.5	109.1	117	12.5	12.83	1770	1.1				TKM28B 90B5/B14	90L4	45
	136.2	99	10	10.28	1670	1.0						
	184	73	7.5	7.61	1510	1.1						
	55.8	230	25	25.10	2530	0.8	TKM38B 90B5/B14	90L4	46			
	69.7	191	20	20.10	2380	0.79						
	95.4	138	15	14.67	2130	0.80						
	109.1	119	12.5	12.83	2030	1.5						
	136.2	99	10	10.28	1910	1.5						
	186.7	72	7.5	7.50	1710	1.5						
	27.8	454	50	50.30	4340	0.77	TKM48B 90B5/B14	90L4	47			
	34.7	378	40	40.29	4080	0.79						
	47.6	285	30	29.40	3720	1.2						
	55.8	237	25	25.10	3500	1.3						
	69.7	187	20	20.10	3230	1.3						
	95.4	142	15	14.67	2950	1.4						
	109.1	118	12.5	12.83	2770	2.6						
	136.2	93	10	10.28	2550	2.6						
186.7	70	7.5	7.50	2330	2.8							

减速机选型表

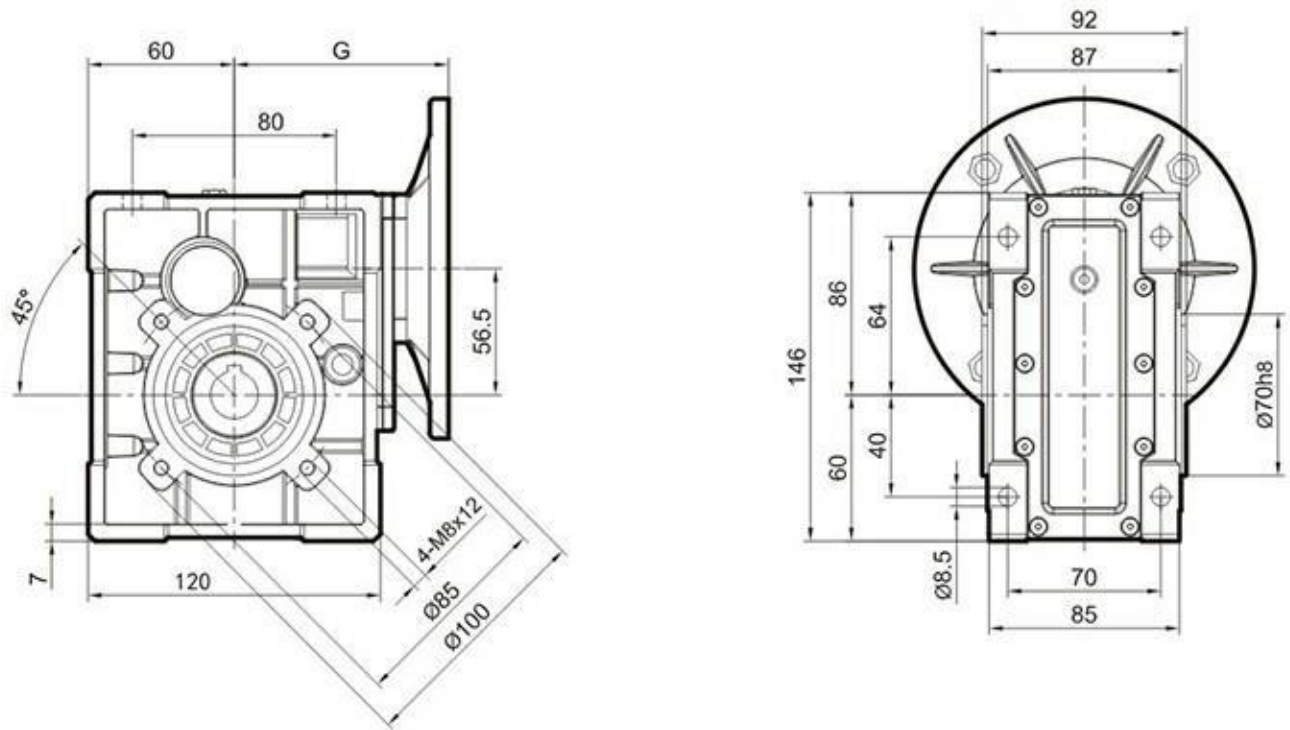
P _{1n} [kW]	n ₂ [r/min]	M _{2n} [Nm]	i		F _{r2} [N]	f _s	 		Page	
			公称 Nominal	实际 Actual			TKM48B	TKM58C		
1.5	44.8	291	20	20.10	3740	0.83	TKM48B	100B5/B14	100L6	47
	61.3	221	15	14.67	3410	0.91				
	70.1	183	12.5	12.83	3210	1.6				
	87.5	144	10	10.28	2960	1.7				
	120	110	7.5	7.50	2700	1.8				
	21.9	580	125	127.98	6010	0.83	TKM58C	90B5/B14	90S2	48
	27.3	457	100	102.50	5550	0.83				
	37.4	347	75	74.80	5070	0.86				
	23.5	556	60	59.55	5890	0.90	TKM58B	90B5/B14	90L4	48
	27.8	454	50	50.30	5500	1.1				
	34.7	378	40	40.29	5170	1.3				
	47.6	285	30	29.40	4710	1.8				
	55.8	237	25	25.10	4430	2.0				
	69.7	187	20	20.10	4090	2.0				
	95.4	142	15	14.67	3730	2.1				
	109.1	118	12.5	12.83	3510	4.1				
	136.2	93	10	10.28	3240	4.1				
	186.7	70	7.5	7.50	2950	4.3				
30.6	443	30	29.40	5460	1.1	TKM58B	100B5/B14	100L6	48	
35.9	369	25	25.10	5130	1.3					
44.8	291	20	20.10	4740	1.3					
61.3	221	15	14.67	4330	1.4					
70.1	183	12.5	12.83	4060	2.6					
87.5	144	10	10.28	3750	2.6					
120	110	7.5	7.50	3420	2.7					
2.2	47.6	418	30	29.40	3720	0.84	TKM48B	100B5/B14	100LA4	47
	55.8	348	25	25.10	3500	0.86				
	69.7	274	20	20.10	3230	0.88				
	95.4	208	15	14.67	2950	0.96				
	109.1	172	12.5	12.83	2770	1.7				
	136.2	136	10	10.28	2550	1.8				
	186.7	103	7.5	7.50	2330	1.9				
	70.1	268	12.5	12.83	3210	1.1	TKM48B	112B5/B14	112M6	47
	87.5	211	10	10.28	2960	1.1				
	120	161	7.5	7.50	2700	1.2				
	34.7	554	40	40.29	5170	0.87	TKM58B	100B5/B14	100LA4	48
	47.6	418	30	29.40	4710	1.2				
	55.8	348	25	25.10	4430	1.4				
	69.7	274	20	20.10	4090	1.4				
	95.4	208	15	14.67	3730	1.4				
	109.1	172	12.5	12.83	3510	2.8				
	136.2	136	10	10.28	3240	2.8				
	186.7	103	7.5	7.50	2950	2.9				
35.9	541	25	25.10	5130	0.89	TKM58B	112B5/B14	112M6	48	
44.8	426	20	20.10	4740	0.89					
61.3	324	15	14.67	4330	0.93					
70.1	268	12.5	12.83	4060	1.8					
87.5	211	10	10.28	3750	1.8					
120	161	7.5	7.50	3420	1.9					

减速机选型表

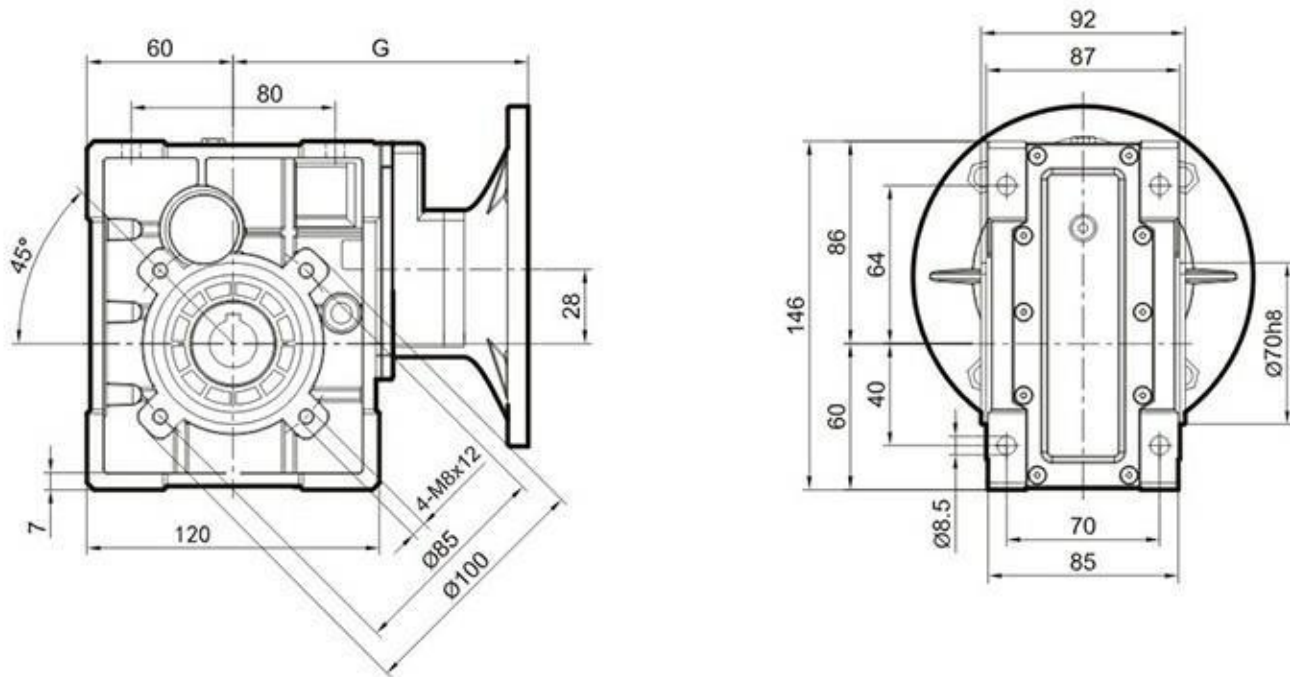
P _{1n} [kW]	n ₂ [r/min]	M _{2n} [Nm]	i		F _{r2} [N]	fs			Page						
			公称 Nominal	实际 Actual											
3	109.1	235	12.5	12.83	2770	1.3	TKM48B	100B5/B14	100LB4	47					
	136.2	185	10	10.28	2550	1.3									
	186.7	141	7.5	7.50	2330	1.4									
	3	47.6	569	30	29.40	4710	0.88	TKM58B	100B5/B14	100LB4	48				
		55.8	474	25	25.10	4430	1.0								
		69.7	374	20	20.10	4090	1.0								
		95.4	284	15	14.67	3730	1.1								
		109.1	235	12.5	12.83	3510	2.0								
		136.2	185	10	10.28	3240	2.1								
186.7		141	7.5	7.50	2950	2.1									
4		109.1	314	12.5	12.83	2770	0.96					TKM48B	112B5/B14	112M4	47
	136.2	247	10	10.28	2550	0.97									
	186.7	188	7.5	7.50	2330	1.1									
	4	109.1	314	12.5	12.83	3510	1.5	TKM58B	112B5/B14	112M4	48				
		136.2	247	10	10.28	3240	1.5								
		186.7	188	7.5	7.50	2950	1.6								
5.5	57	862	50	48.86	4870	0.9	TKM68B	132B5	132S12						
	68	728	40	41.26	4600	1.0									
	91	541	30	30.67	4170	1.4									
	108	457	25	25.90	3940	1.6									
	135	366	20	20.73	3660	1.8									
	185	266	15	15.11	3290	2.0									
	218	226	12.5	12.84	3120	3.3									
	273	181	10	10.27	2890	3.6									
	374	132	7.5	7.49	2600	3.9									
	5.5	68	731	20	20.73	4610					0.9	TKM68B TKB68B	132B5 132B5	132S4 132S4	
		93	533	15	15.11	4150					1.0				
		109	453	12.5	12.84	3930					1.7				
		136	362	10	10.27	3650					1.8				
		187	264	7.5	7.49	3280					2.0				
		7.5	91	737	30	30.67					4170				
108	623		25	25.90	3940	1.2									
135	498		20	20.73	3660	1.3									
185	363		15	15.11	3290	1.4									
218	309		12.5	12.84	3120	2.4									
273	247		10	10.27	2890	2.6									
374	180		7.5	7.49	2600	2.9									
7.5	109		617	12.5	12.84	3930	1.2	TKM68B TKB68B	132B5 132B5	132SM4 132SM4					
	136		494	10	10.27	3650	1.3								
	187		360	7.5	7.49	3280	1.4								

外形尺寸图表

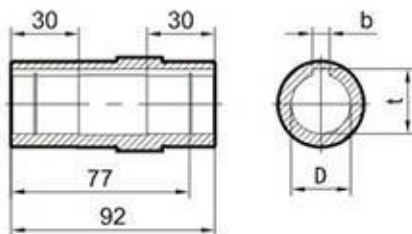
TKM28..B..IEC



TKM28..C..IEC



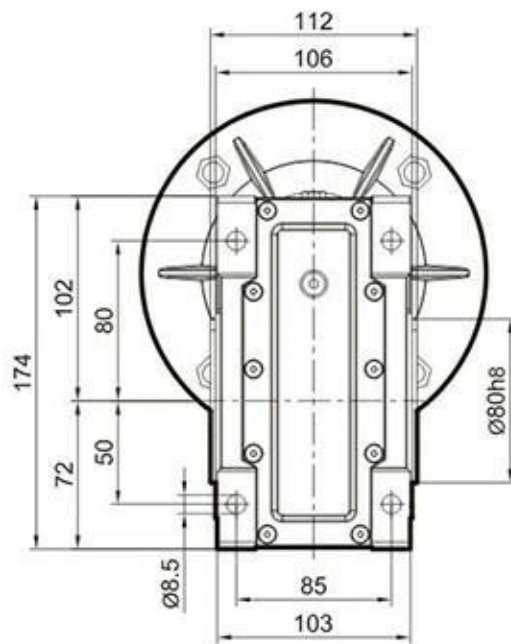
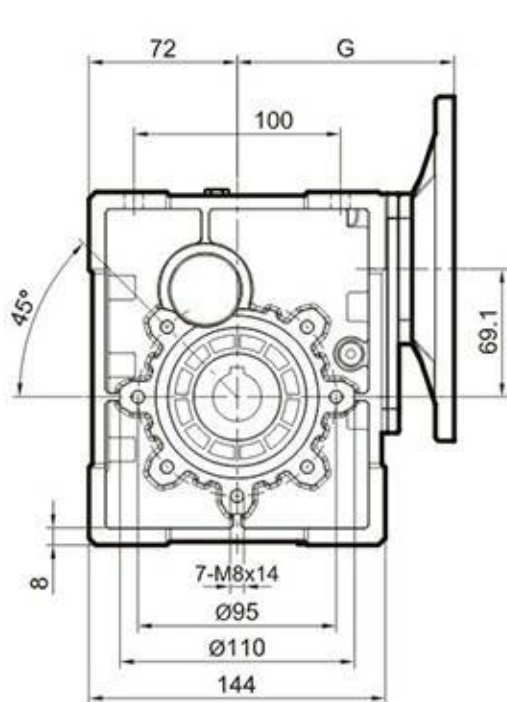
输出孔/Output hole



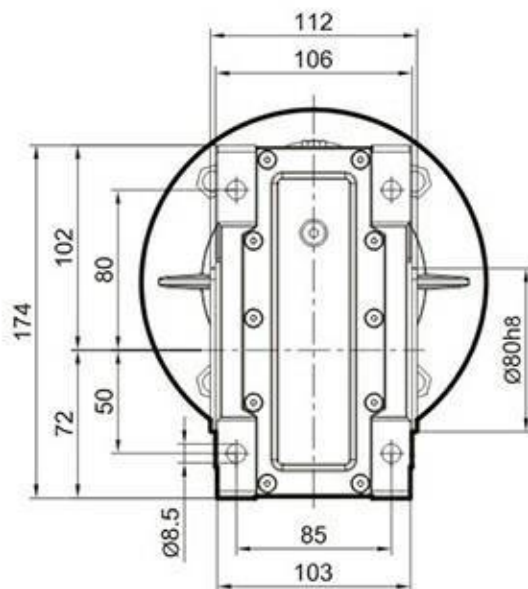
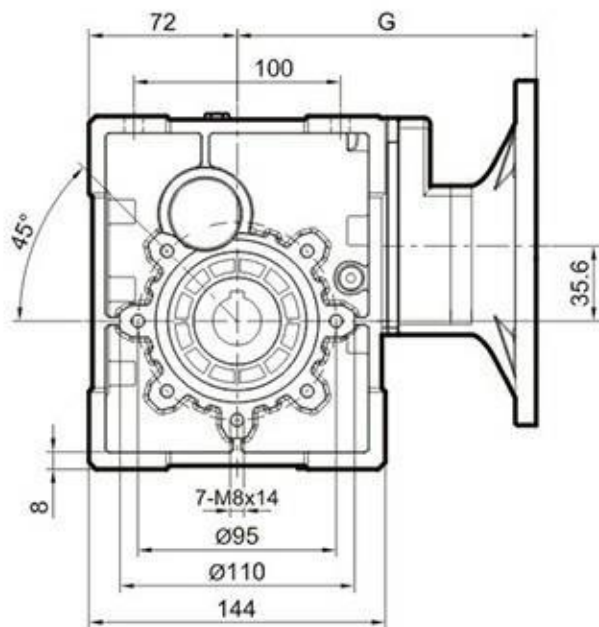
IEC	TKM	G	D _{H8}	b	t	TKM	Kg(重量)
63B5	28B	101.5	20*	6	22.8	28B	4.2
	28C	119.5	25	8	28.3	28C	5
71B5/B14	28B	102.5	*非标孔, 订单时请说明. *Only on request				不包括马达 Weight without motor
	28C	120.5					
80B5/B14	28B	122.5					
90B5/B14	28B	122.5					

外形尺寸图表

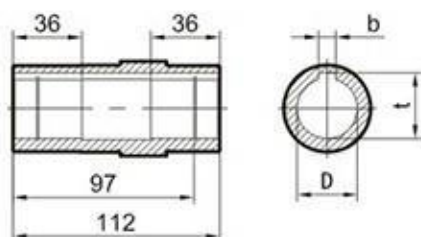
TKM38..B..IEC



TKM38..C..IEC



输出孔/Output hole



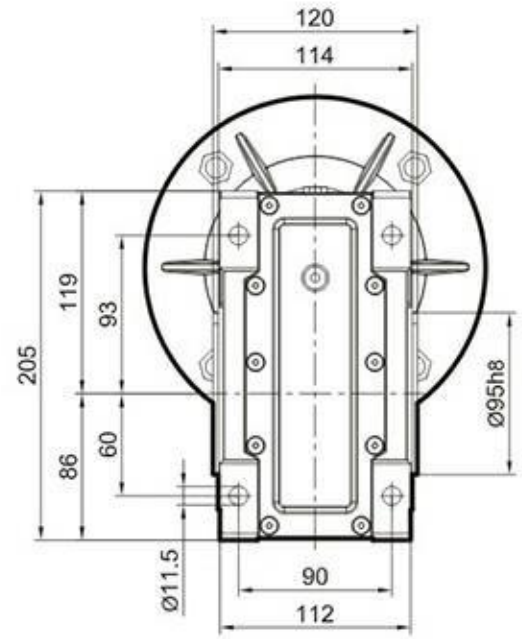
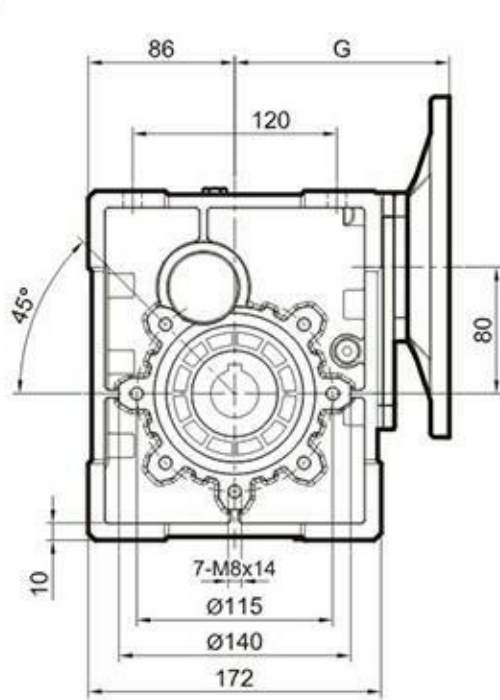
IEC	TKM	G
63B5	38B	112.5
	38C	137.5
71B5/B14	38B	119.5
	38C	144.5
80B5/B14	38B	139.5
	38C	164.5
90B5/B14	38B	139.5

D _{H8}	b	t
25	8	28.3
28*	8	31.3
*非标孔, 订单时请说明。 *Only on request		

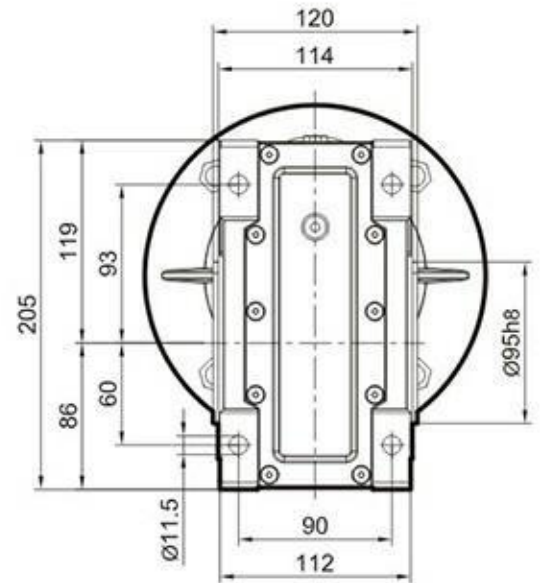
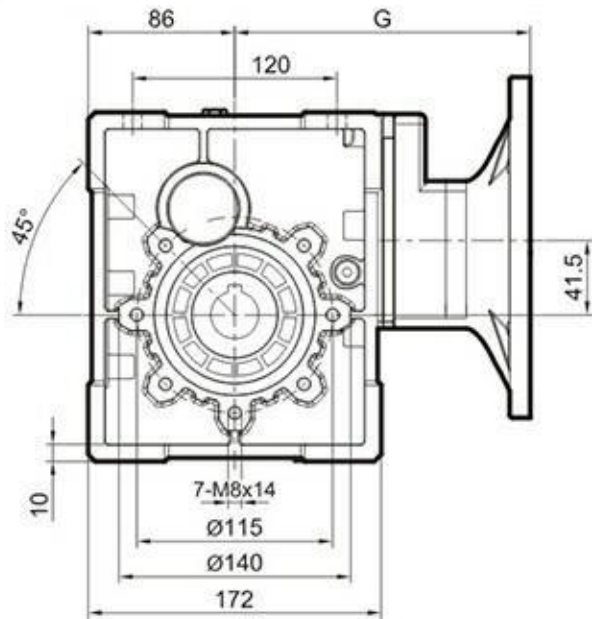
TKM	Kg(重量)
38B	6.0
38C	6.8
不包括马达 Weight without motor	

外形尺寸图表

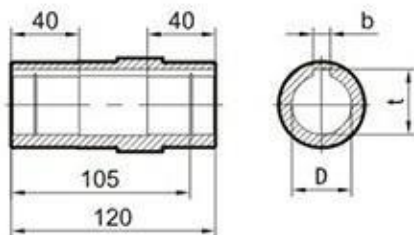
TKM48..B..IEC



TKM48..C..IEC



输出孔/Output hole



IEC	TKM	G
63B5	48C	154
71B5	48B	161
	48C	191
80B5/B14	48B	151
	48C	181
90B5/B14	48B	151
	48C	181
100/112B5	48B	161
100/112B14	48B	161

D _{H8}	b	t
28	8	31.3
30*	8	33.3
35*	10	38.3

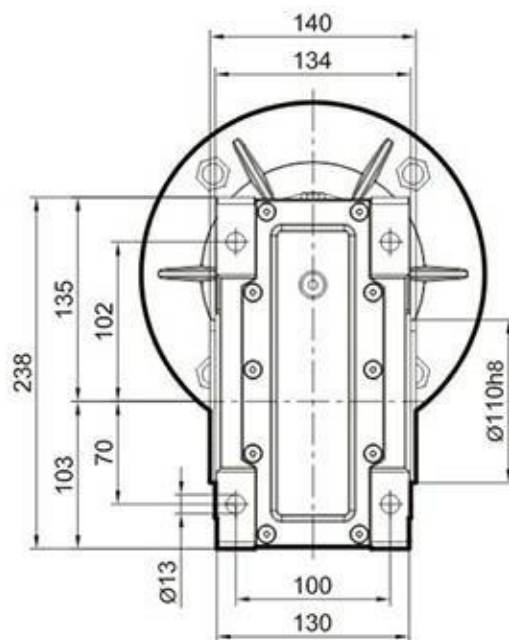
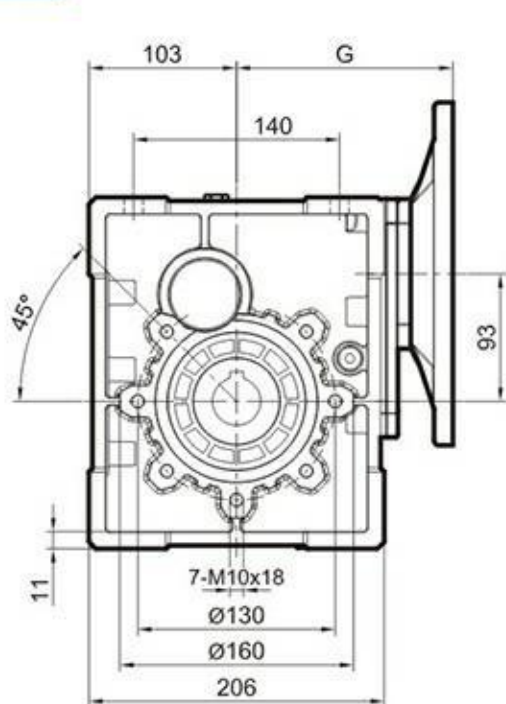
*非标孔，订单时请说明。
*Only on request

TKM	Kg(重量)
48B	9.2
48C	10.8

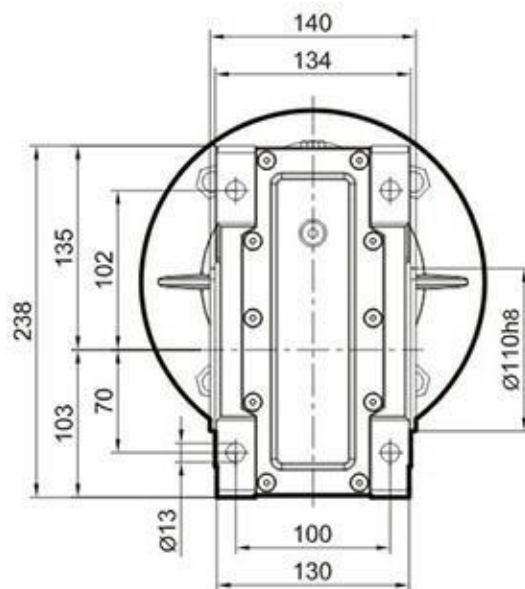
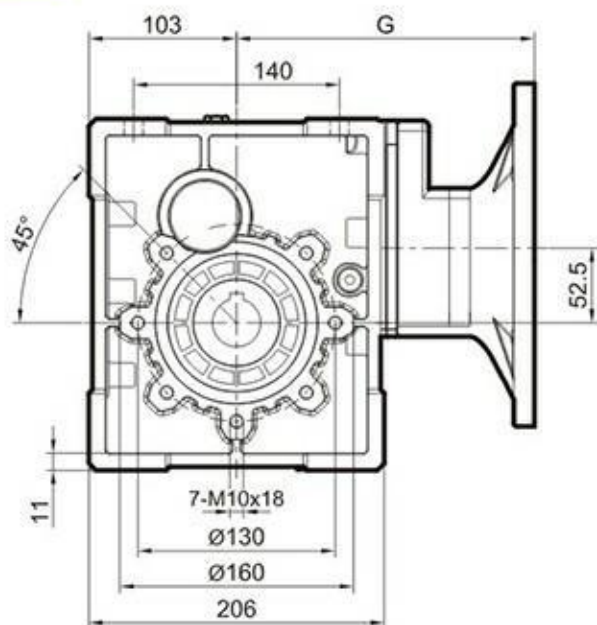
不包括马达
Weight without motor

外形尺寸图表

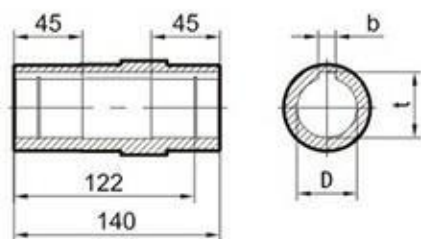
TKM58..B..IEC



TKM58..C..IEC



输出孔/Output hole



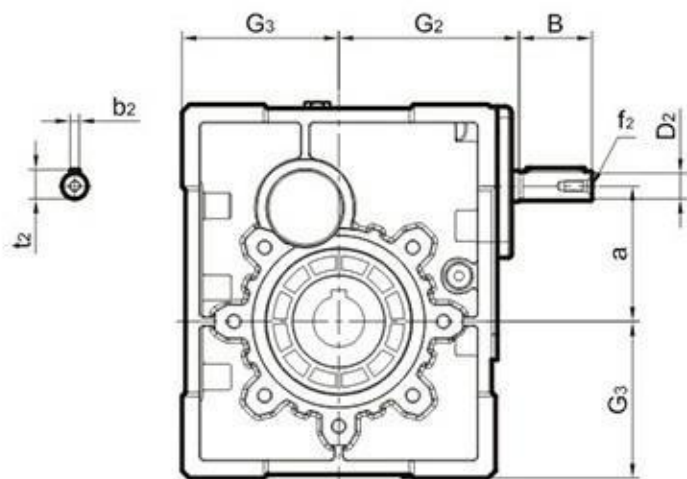
IEC	TKM	G
63B5	58C	176.5
71B5	58B	174
	58C	213.5
80B5/B14	58B	164
	58C	203.5
90B5/B14	58B	164
	58C	203.5
100/112B5	58B	174
100/112B14	58B	174

D _{H8}	b	t
35	10	38.3
38*	10	41.3
*非标孔, 订单时请说明。 *Only on request		

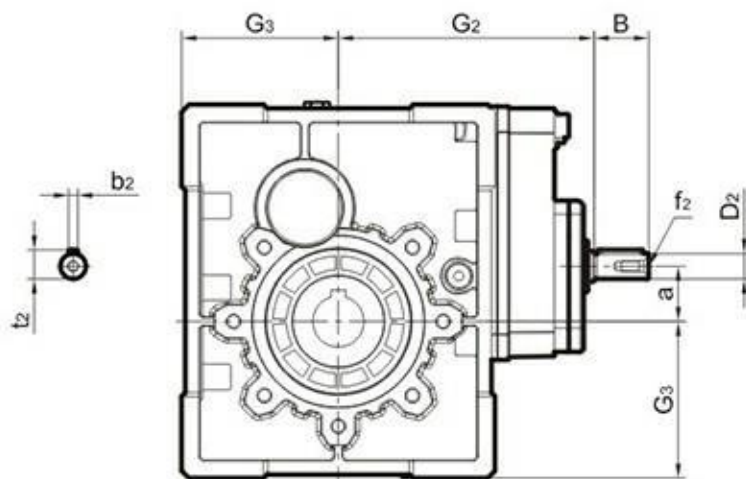
TKM	Kg(重量)
58B	13.3
58C	14.8
不包括马达 Weight without motor	

外形尺寸图表

TKM..B..HS

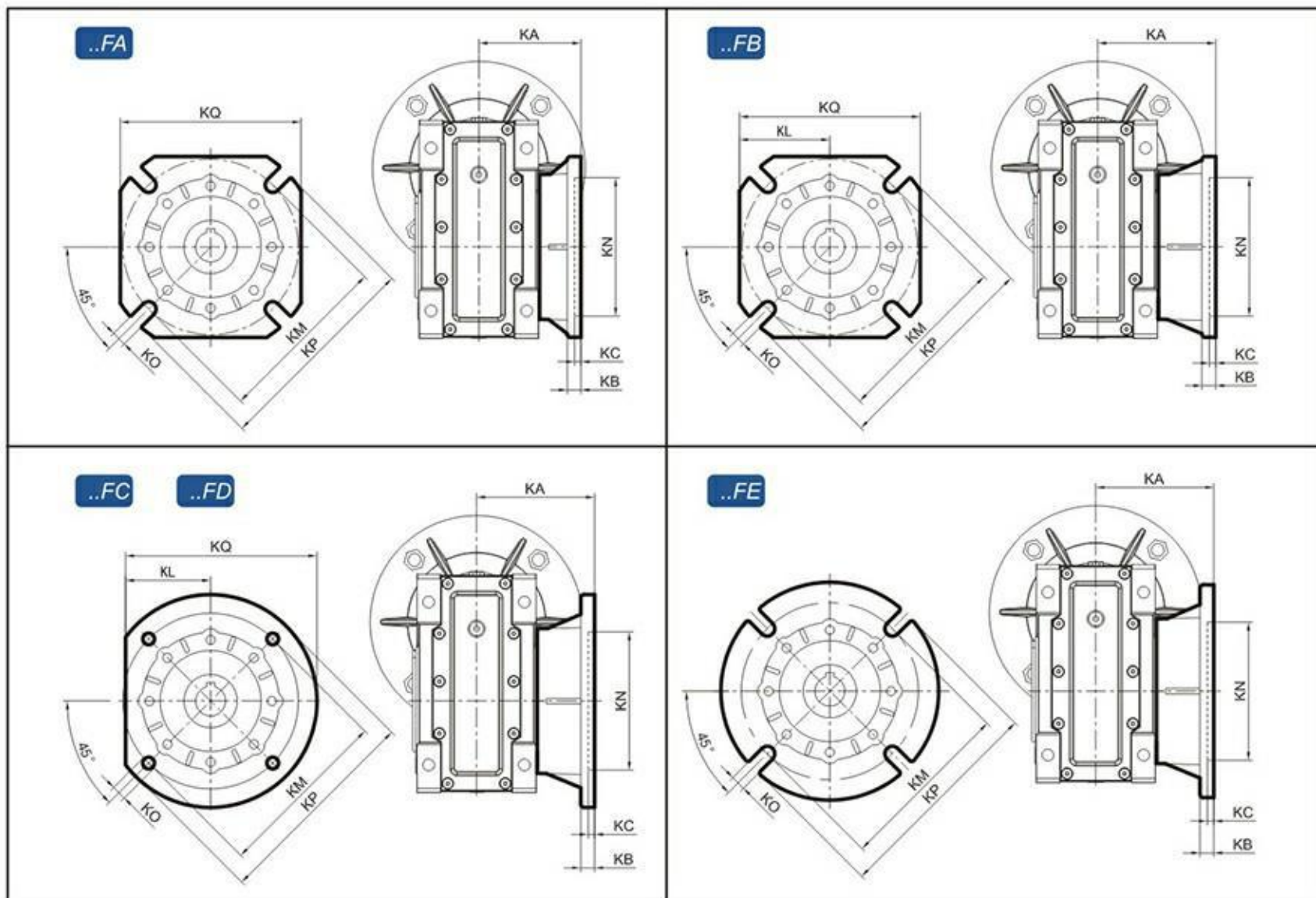


TKM..C..HS



TKM	B	$D_{2/6}$	G_2	G_3	a	b_2	t_2	f_2
18B								
18C								
28B	23	11	70	60	56.5	4	12.5	-
28C	23	11	88	60	28	4	12.5	-
38B	30	14	85	72	69.1	5	16	M6
38C	23	11	110	72	35.6	4	12.5	-
48B	40	16	99	86	80	5	18	M6
48C	30	14	129	86	41.5	5	16	M6
58B	40	19	112	103	93	6	21.5	M6
58C	30	14	152	103	52.5	5	16	M6
68B	50			127.5	108			
68C	40			127.5	52			

输出法兰 / Output flange



TKM	FA							
	KA	KB	KC	KM	KN _{H8}	KO	KP	KQ
18/28	90	9	5	85	70	11(n=4)	125	110
38	82	10	6	150	115	11(n=4)	180	142
48	111	13	6	165	130	14(n=4)	200	170
58	111	13	6	175	152	14(n=4)	210	200
68	131	13	6	230	170	14(n=4)	280	260

TKM	FB								
	KA	KB	KC	KM	KN _{H8}	KO	KP	KQ	KL
18/28	120	9	5	85	70	11(n=4)	125	110	-
38	112	10	6	150	115	11(n=4)	180	142	-
48	90	13	6	130	110	11(n=4)	160	-	-
58	122	18	6	215	180	14(n=4)	250	-	105
68	180	18	6	230	170	14(n=4)	280	260	260

TKM	FC								
	KA	KB	KC	KM	KN _{H8}	KO	KP	KQ	KL
18/28	89	10	5	130	110	9(n=4)	160	-	66
38	98	10	5	165	130	11(n=4)	200	-	80
58	110	17	6	165	130	11(n=4)	200	-	-
68	180	17	6	230	170	14(n=4)	280	-	260

TKM	FD								
	KA	KB	KC	KM	KN _{H8}	KO	KP	KQ	KL
18/28	72	14.5	5	115	95	11(n=4)	140	-	60
38	107	10	5	165	130	11(n=4)	200	-	80
58	151	13	6	175	152	14(n=4)	210	200	-
68	180	13	6	230	170	14(n=4)	280	200	260

TKM	FE						
	KA	KB	KC	KM	KN _{H8}	KO	KP
38	80.5	16.5	5	130	110	11(n=4)	160

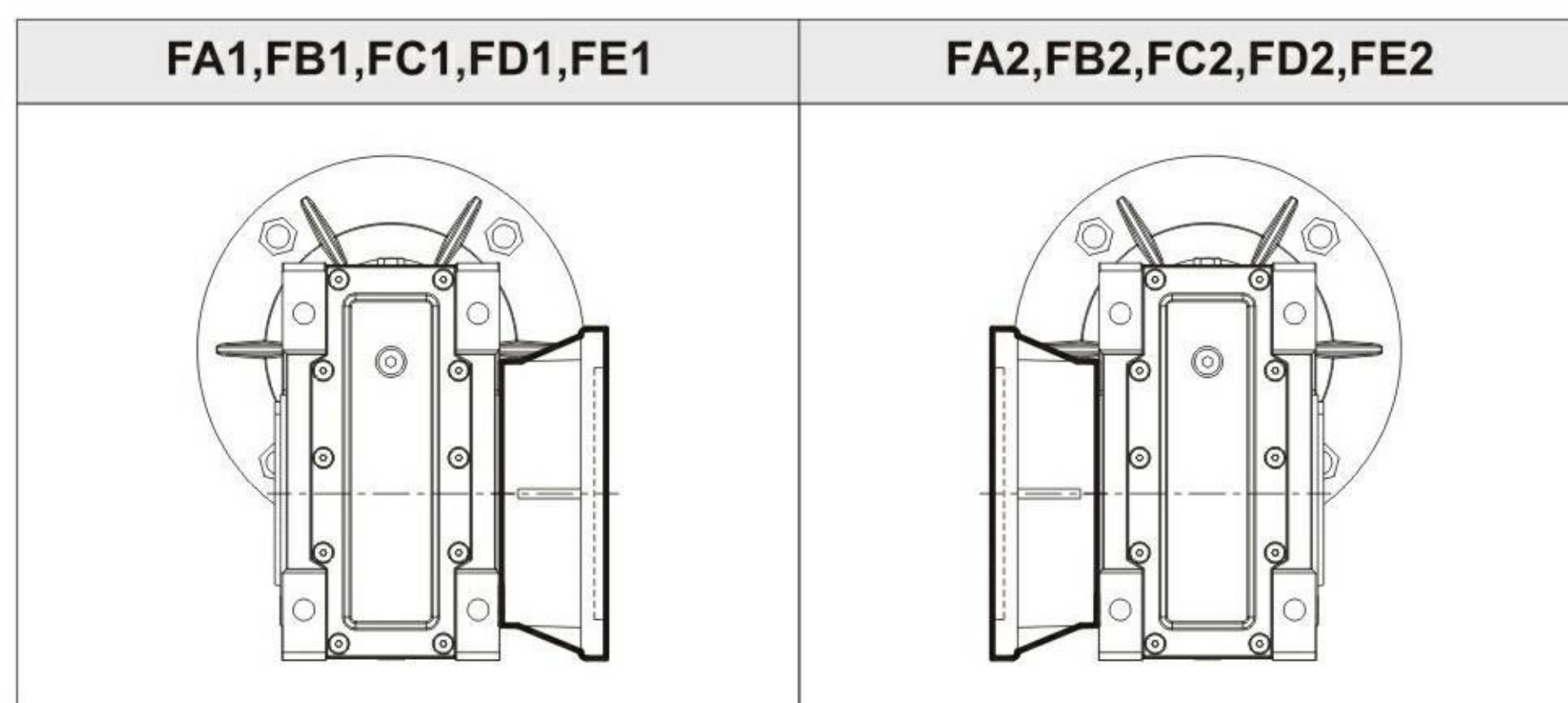
* 当KQ不存在时，说明法兰为圆形。

* If KQ isn't existing, the flange is circular.

* 当KL存在时，说明法兰为圆形且切边。

* If KQ is existing, the flange isn't completely circular.

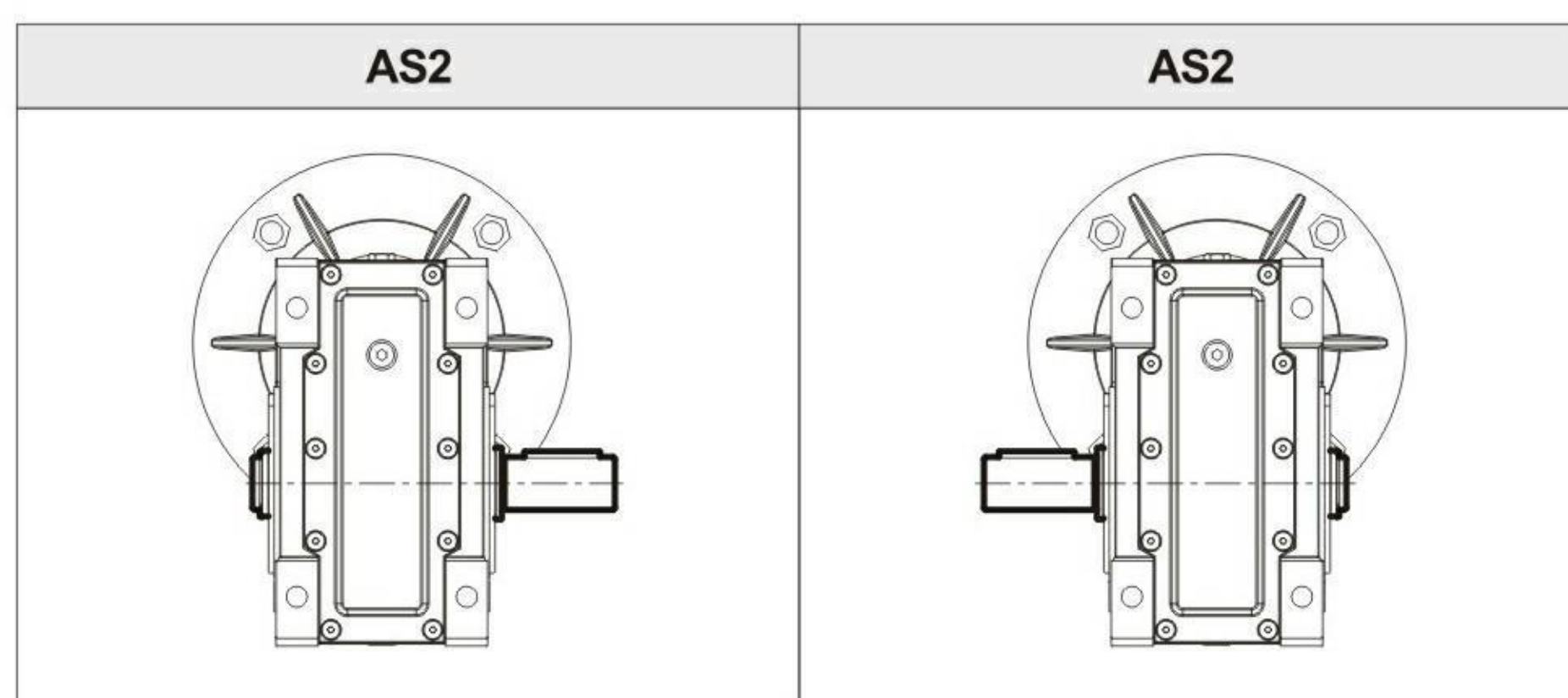
输出法兰位置 / Position diagram for output flange



如果没有特殊要求，一般按出厂标准位置如图F.1方式和B3位置提供。

Unless specified otherwise, the gear units is supplied with the flange in pos. **F..1** referred to position **B3**.

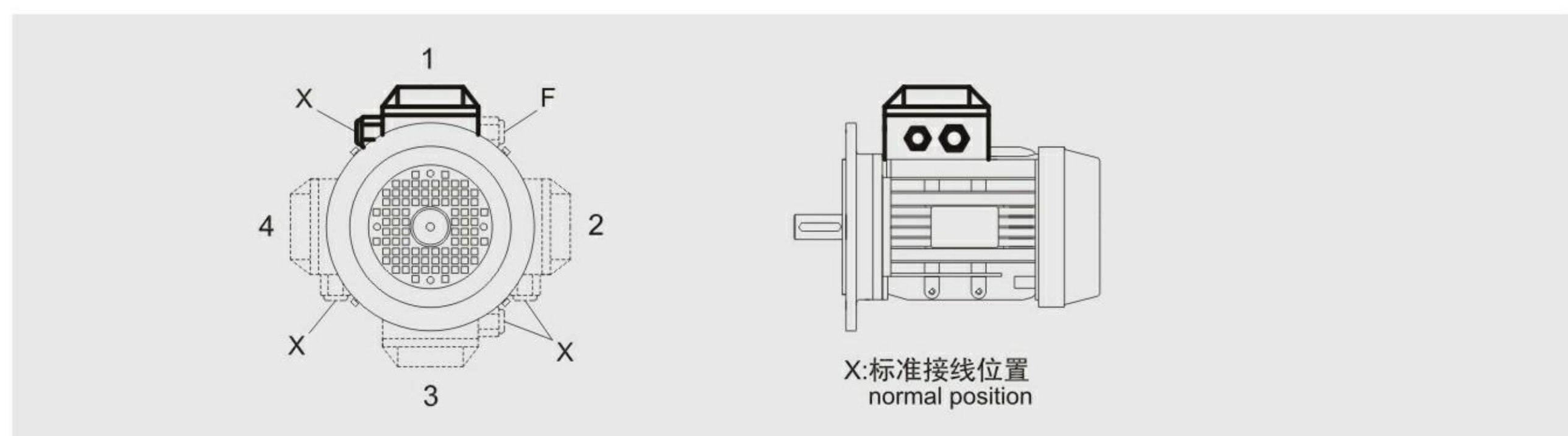
单向输出轴位置 / Position diagram for single output shaft



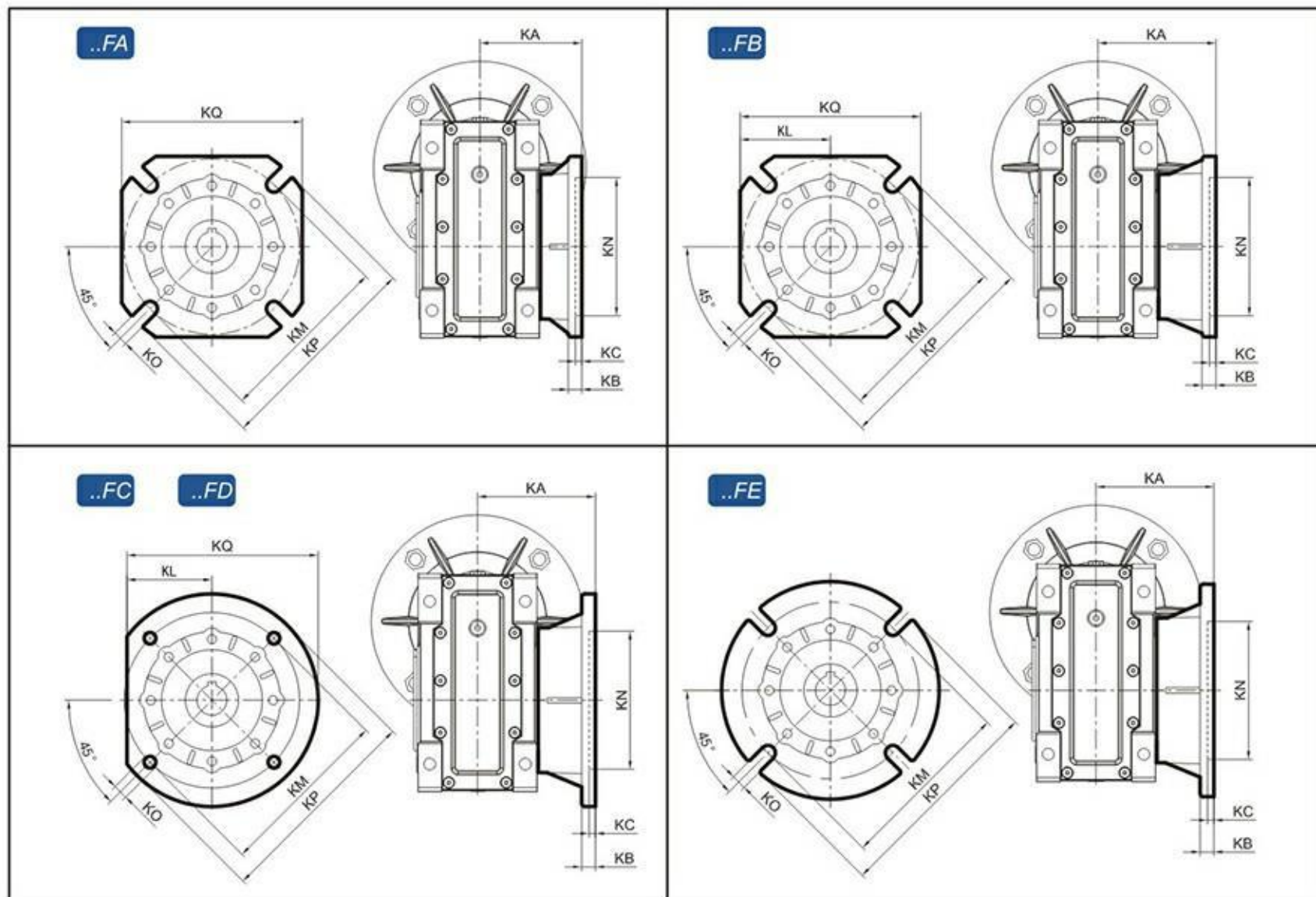
如果没有特殊要求，一般按出厂标准位置如图AS1方式和B3位置提供。

Unless specified otherwise, the gear units is supplied with the flange in pos. **AS1** referred to position **B3**.

电机接线盒方位/Position of motor terminal box



输出法兰 / Output flange



TKM	FA							
	KA	KB	KC	KM	KN _{H8}	KO	KP	KQ
18/28	90	9	5	85	70	11(n=4)	125	110
38	82	10	6	150	115	11(n=4)	180	142
48	111	13	6	165	130	14(n=4)	200	170
58	111	13	6	175	152	14(n=4)	210	200
68	131	13	6	230	170	14(n=4)	280	260

TKM	FB								
	KA	KB	KC	KM	KN _{H8}	KO	KP	KQ	KL
18/28	120	9	5	85	70	11(n=4)	125	110	-
38	112	10	6	150	115	11(n=4)	180	142	-
48	90	13	6	130	110	11(n=4)	160	-	-
58	122	18	6	215	180	14(n=4)	250	-	105
68	180	18	6	230	170	14(n=4)	280	260	260

TKM	FC								
	KA	KB	KC	KM	KN _{H8}	KO	KP	KQ	KL
18/28	89	10	5	130	110	9(n=4)	160	-	66
38	98	10	5	165	130	11(n=4)	200	-	80
58	110	17	6	165	130	11(n=4)	200	-	-
68	180	17	6	230	170	14(n=4)	280	-	260

TKM	FD								
	KA	KB	KC	KM	KN _{H8}	KO	KP	KQ	KL
18/28	72	14.5	5	115	95	11(n=4)	140	-	60
38	107	10	5	165	130	11(n=4)	200	-	80
58	151	13	6	175	152	14(n=4)	210	200	-
68	180	13	6	230	170	14(n=4)	280	200	260

TKM	FE						
	KA	KB	KC	KM	KN _{H8}	KO	KP
38	80.5	16.5	5	130	110	11(n=4)	160

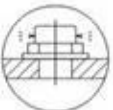


* 当KQ不存在时，说明法兰为圆形。

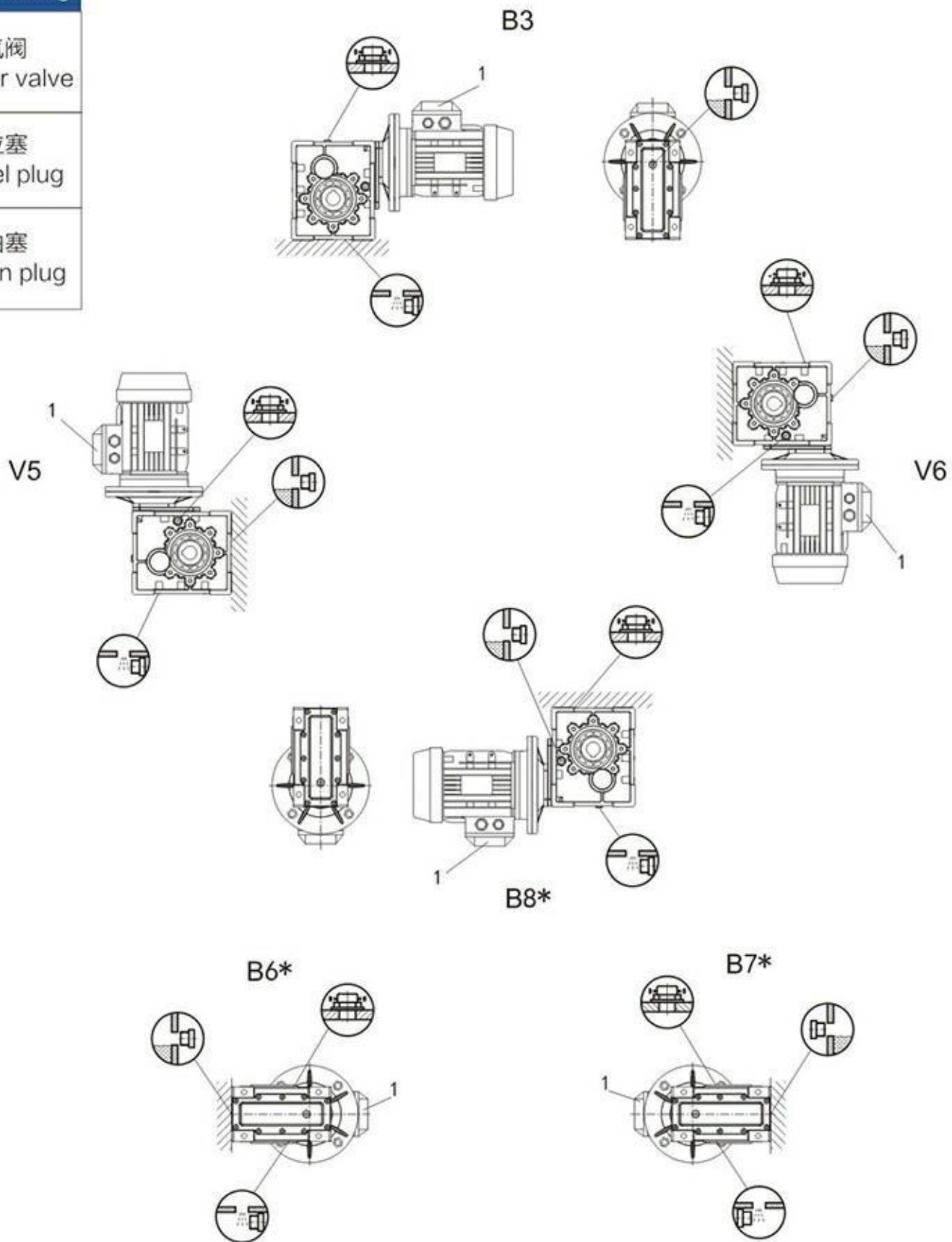
* If KQ isn't existing, the flange is circular.

* 当KL存在时，说明法兰为圆形且切边。

* If KQ is existing, the flange isn't completely circular.

安装方位图

符号/Symbol	含义/Meaning
	排气阀 Breather valve
	油位塞 Oil level plug
	放油塞 Oil drain plug



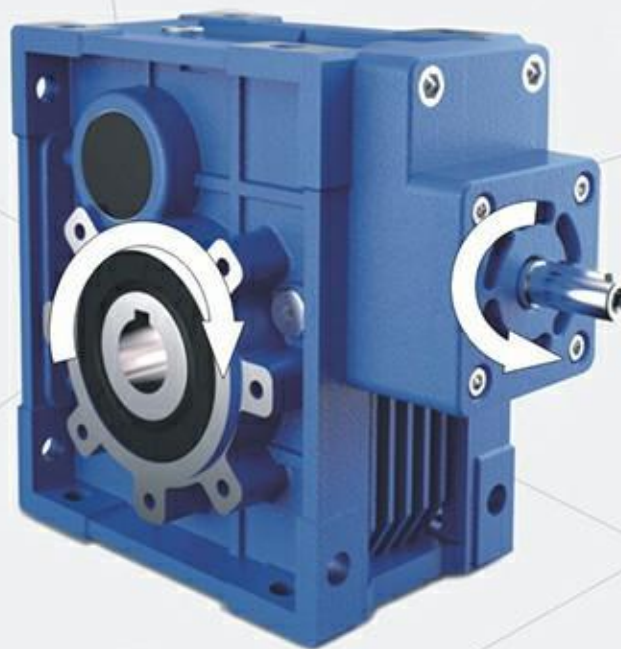
* 表示在此安装方式，不能仅凭油位塞加注润滑油，油位需高出油位塞，加注量按表内所示。

* It means the lubricant can't be added according to the oil level line plug, but also higher the plug to fill quantity as shown in the table.

旋转方向 / Direction of rotation



TKM..B..HS

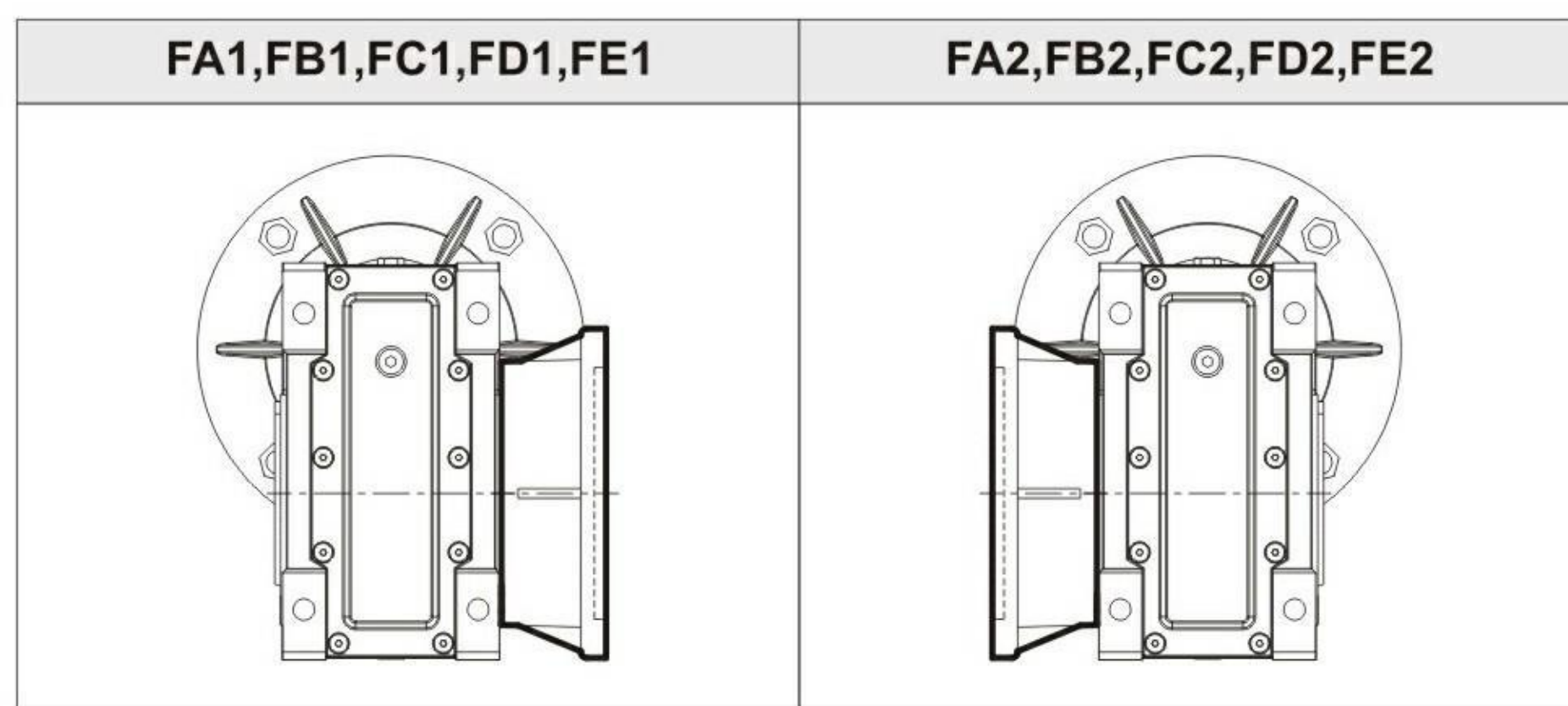


TKM..C..HS

减速机在使用时，电机可正反转输入使用，推荐使用上图所示输入轴旋转方向为准双曲面齿轮最佳啮合方向。
The motor can be run either CW or CCW while using with gearbox, the left chart is recommended.

■ 安装方位图

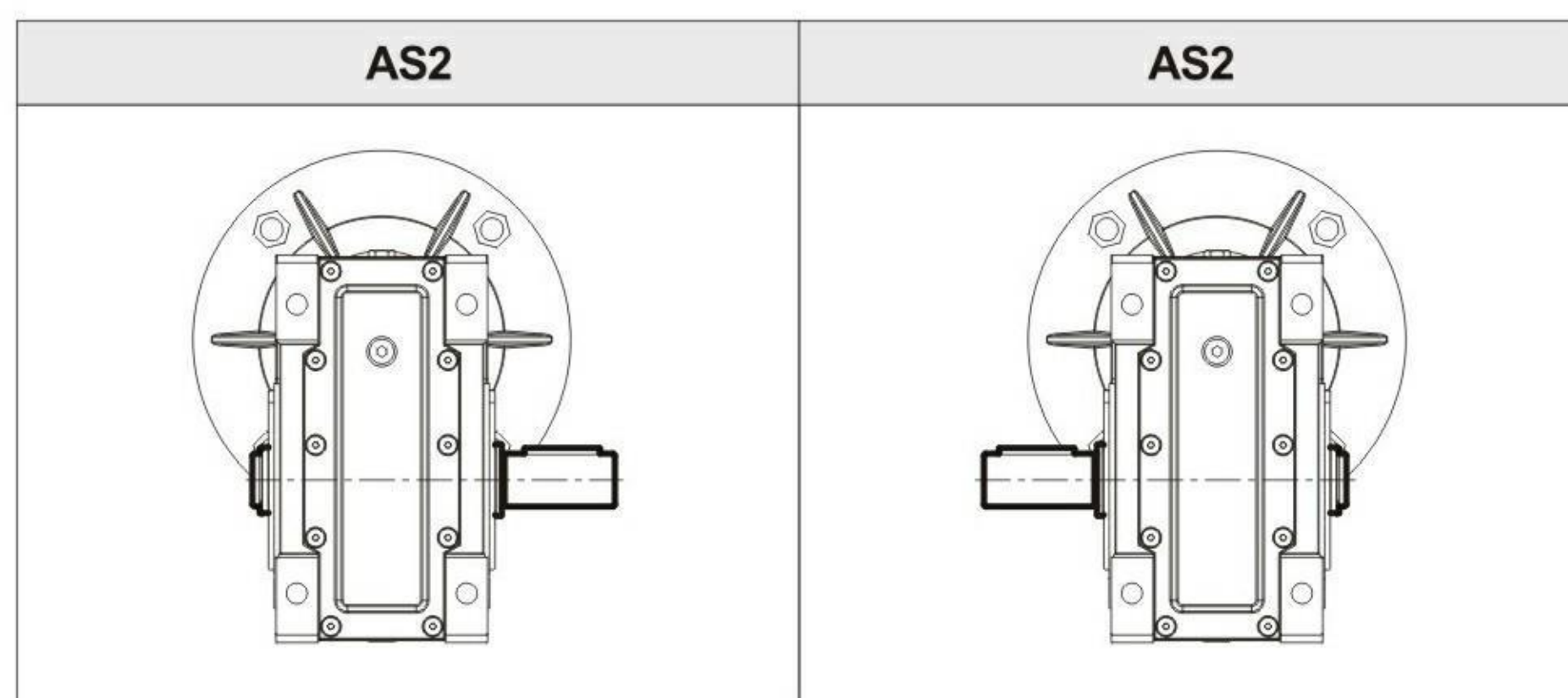
输出法兰位置 / Position diagram for output flange



如果没有特殊要求，一般按出厂标准位置如图F.1方式和B3位置提供。

Unless specified otherwise, the gear units is supplied with the flange in pos. **F..1** referred to position **B3**.

单向输出轴位置 / Position diagram for single output shaft



如果没有特殊要求，一般按出厂标准位置如图AS1方式和B3位置提供。

Unless specified otherwise, the gear units is supplied with the flange in pos. **AS1** referred to position **B3**.

电机接线盒方位/Position of motor terminal box

